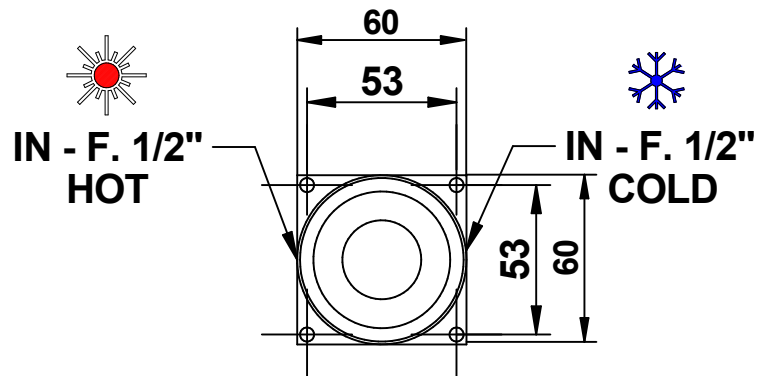
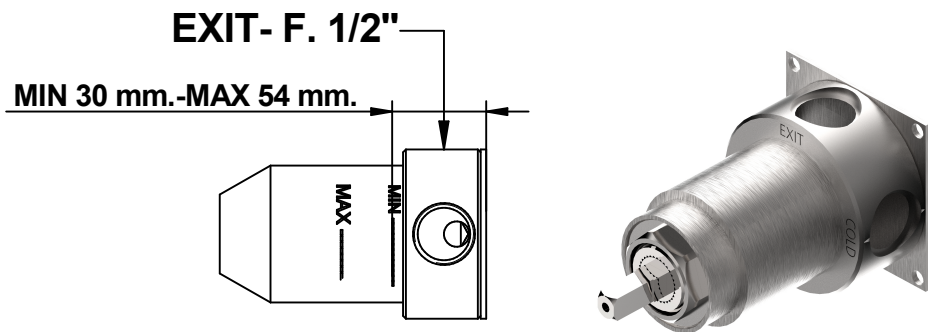
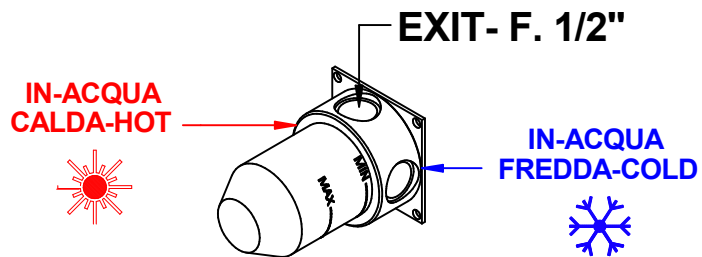
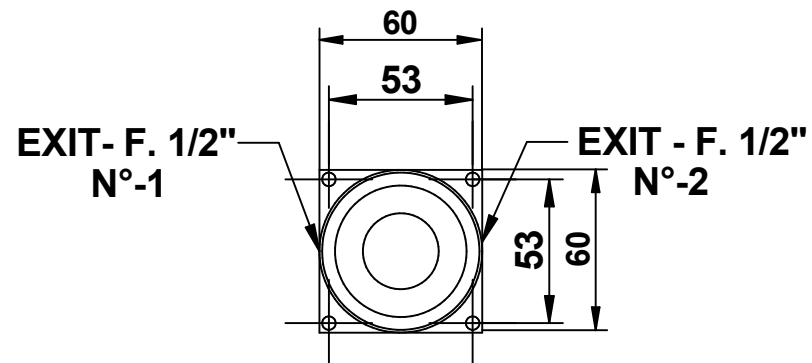
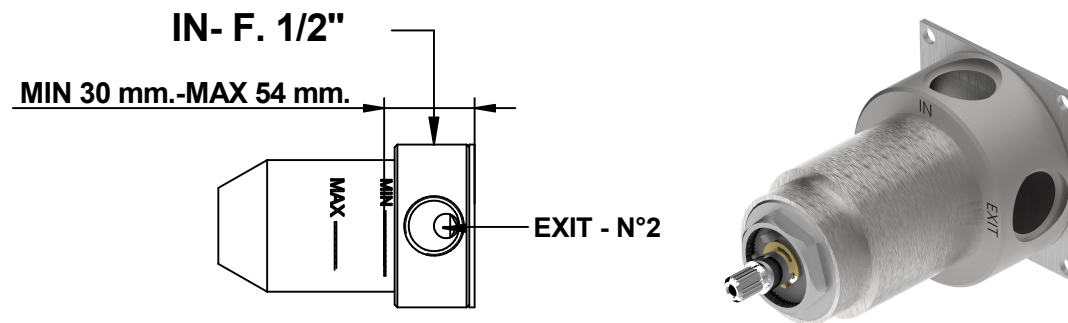
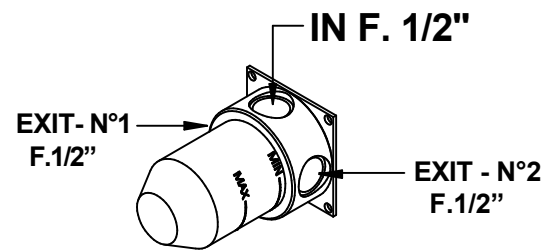


Cod. 09689/AS



Cod. 09696/AS71



Cod. 09687/AS

© Copyright of Mario Bongio s.r.l.

Corpo incasso per art.:
71530/D - 73530/D - 69530/D

Built-in body for items:
71530/D - 73530/D - 69530/D

bongio

Mario Bongio s.r.l.
Via Aldo Moro, 2
28017 San Maurizio d'Opaglio (NO) - Italy
tel: +39 0322 967248 fax: +39 0322 950012
www.bongio.com