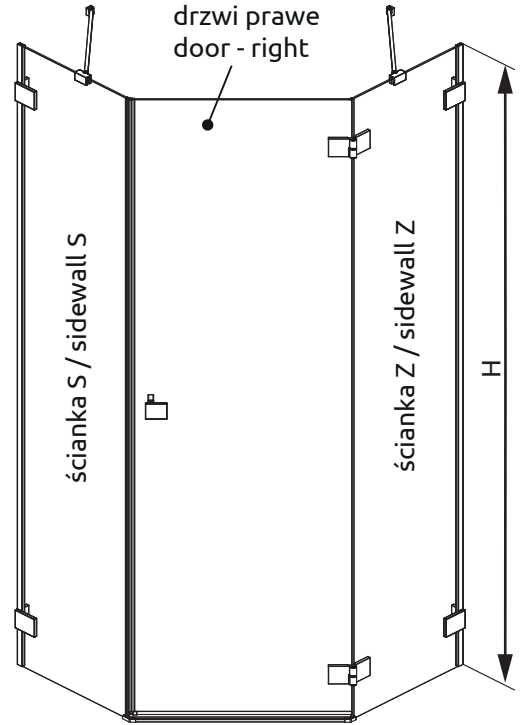
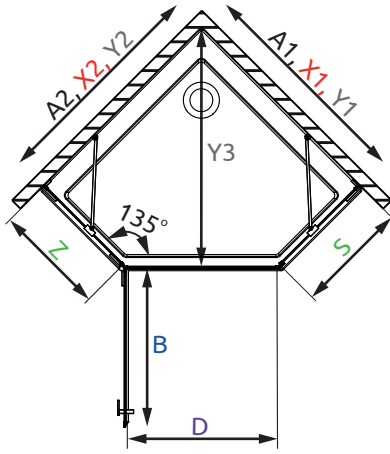


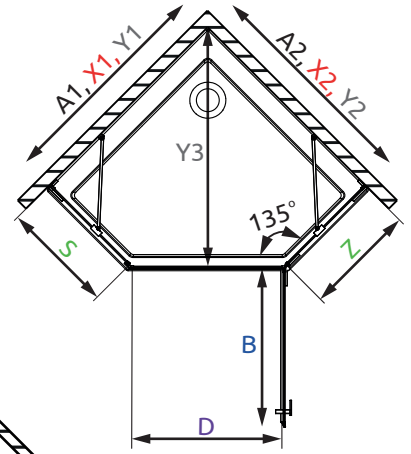
Wariant LEWY
Variant L



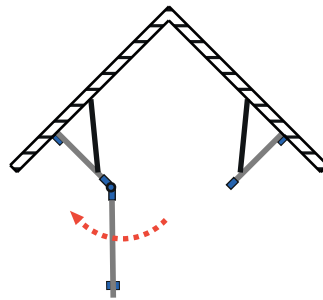
Wariant PRAWY
Variant R



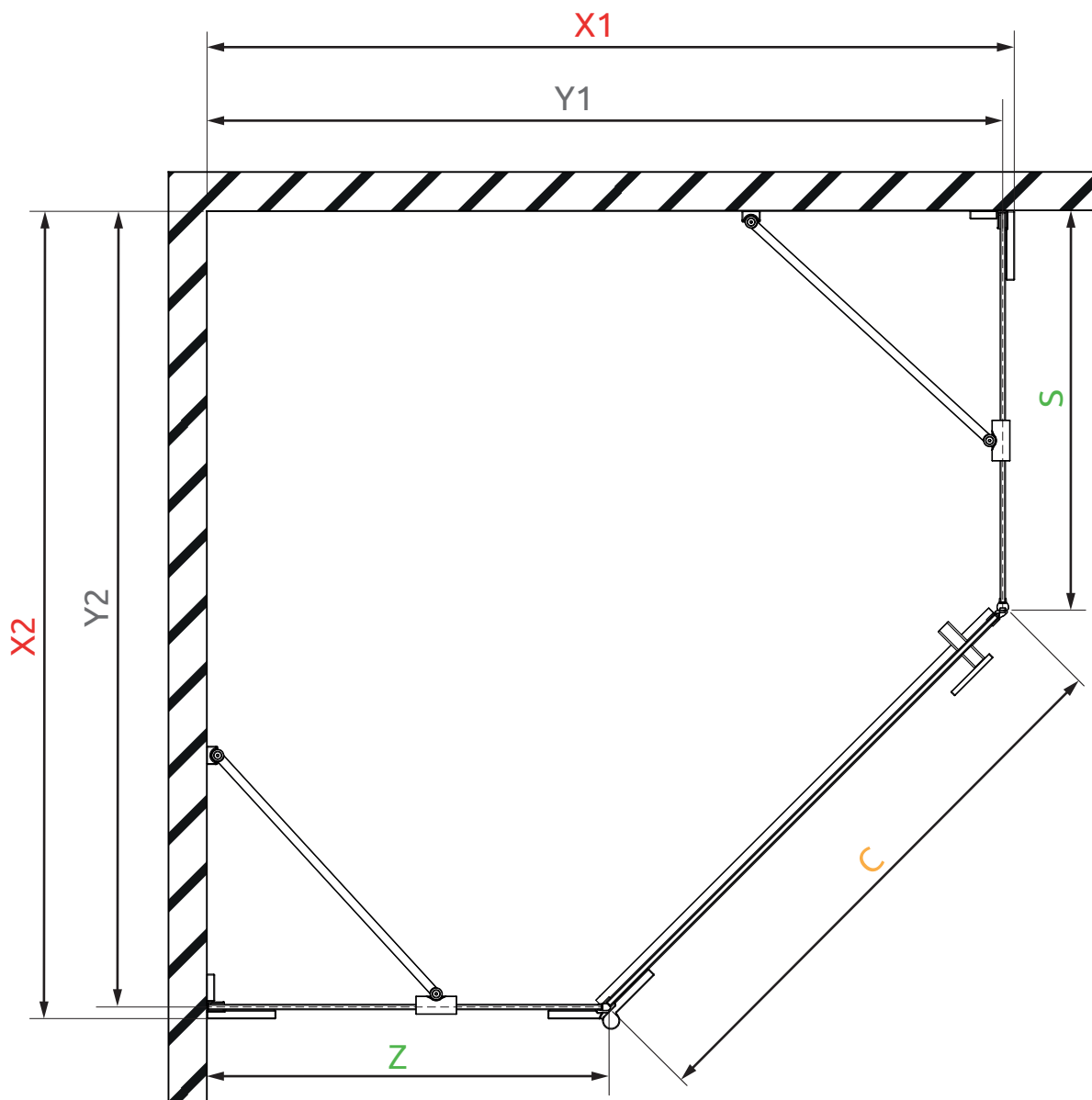
Wariant LEWY / Variant L



Wariant PRAWY / Variant R



Model	A1	A2	X1	X2	Y1	Y2	Y3	B	Z	S	D	H
PTJ 80Zx80S	800	800	789-797	789-797	776-784	776-784	788-799	638	345-353	340-348	600	2000
PTJ 80Zx90S	800	900	789-797	889-897	776-784	876-884	859-870	638	345-353	440-448	600	2000
PTJ 80Zx100S	800	1000	789-797	989-997	776-784	976-984	930-941	638	345-353	540-548	600	2000
PTJ 90Zx80S	900	800	889-897	789-797	876-884	776-784	859-870	638	445-453	340-348	600	2000
PTJ 90Zx90S	900	900	889-897	889-897	876-884	876-884	930-941	638	445-453	440-448	600	2000
PTJ 90Zx100S	900	1000	889-897	989-997	876-884	976-984	1000-1011	638	445-453	540-548	600	2000
PTJ 100Zx80S	1000	800	989-997	789-797	976-984	776-784	930-941	638	545-553	340-348	600	2000
PTJ 100Zx90S	1000	900	989-997	889-897	976-984	876-884	1000-1011	638	545-553	440-448	600	2000
PTJ 100Zx100S	1000	1000	989-997	989-997	976-984	976-984	1071-1082	638	545-553	540-548	600	2000



Model	X1*	X2*	Y1*	Y2*	Z*	S*	C*
<i>PTJ 80Zx80S</i>	789	789	776	776	345	340	615
<i>PTJ 80Zx90S</i>	789	889	776	876	345	440	615
<i>PTJ 80Zx100S</i>	789	989	776	976	345	540	615
<i>PTJ 90Zx80S</i>	889	789	876	776	445	340	615
<i>PTJ 90Zx90S</i>	889	889	876	876	445	440	615
<i>PTJ 90Zx100S</i>	889	989	876	976	445	540	615
<i>PTJ 100Zx80S</i>	989	789	976	776	545	340	615
<i>PTJ 100Zx90S</i>	989	889	976	876	545	440	615
<i>PTJ 100Zx100S</i>	989	989	976	976	545	540	615

*Wymiary dotyczą montażu typowej kabiny montowanej zgodnie z instrukcją montażu
 *All dimensions refer to standard shower installation in accordance with the assembly instruction

