

**AXOR Starck**  
**Single lever bath mixer for exposed installation with flat lever handle**  
 Surfaces: **Chrome** Article Number: **10465000**



## Description

### product features

- projection 200 mm
- connection type: s-shaped connections
- centre distance:  $150 \pm 16$  mm
- spray type mixer: normal spray
- flow rate at 3 bar: 22 l/min
- ceramic cartridge
- min. operating pressure: 1 bar
- max. operating pressure: 10 bar
- temperature limitation adjustable
- with automatic resetting
- non-return valve
- with silencer
- suitable for continuous flow water heaters
- connection dimension: DN15
- matching handle design for the AXOR Starck basin mixers with lever handles

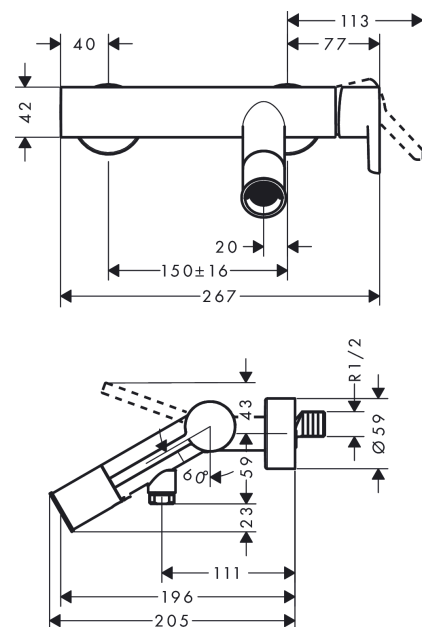
## Technology



## Product image



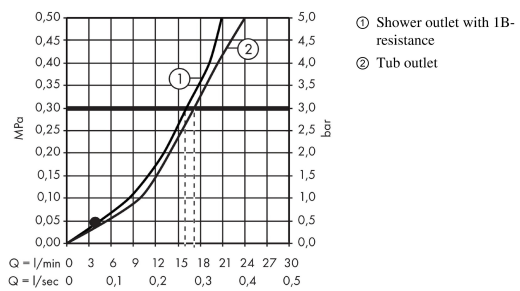
## Scale drawing



**AXOR Starck**  
**Single lever bath mixer for exposed installation with flat lever handle**  
 Surfaces: **Chrome** Article Number: **10465000**



## Flowchart

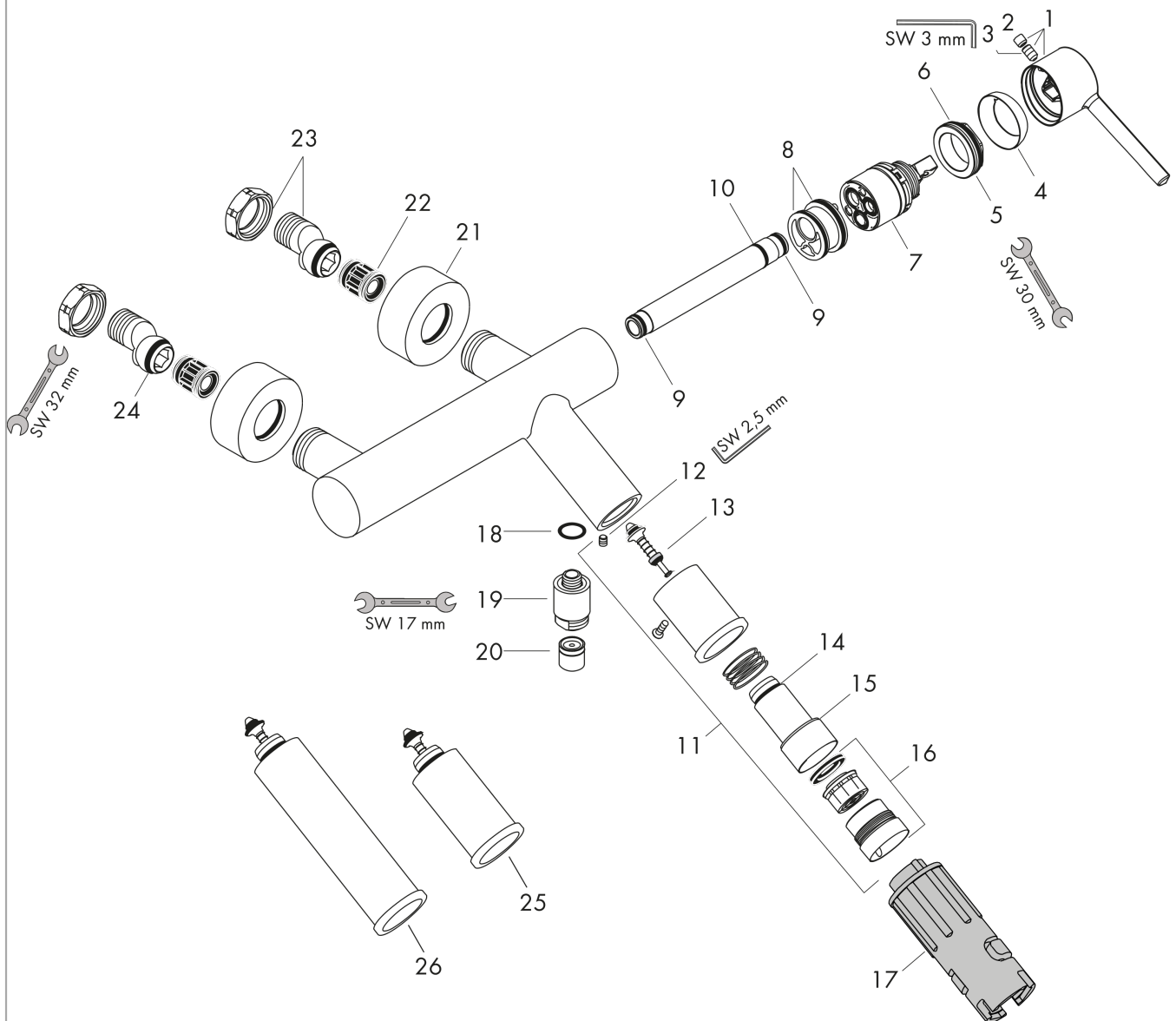


**AXOR Starck**  
**Single lever bath mixer for exposed installation with flat lever handle**  
 Surfaces: **Chrome** Article Number: **10465000**



## Exploded Drawing

Year of production: >09/16



**AXOR Starck**  
**Single lever bath mixer for exposed installation with flat lever handle**  
 Surfaces: **Chrome** Article Number: **10465000**



## Spare part list

Year of production: >09/16

Pos.	Description	Article Number	PC	PU
1	handle	92927000	0	1
2	screw cover	96762000	0	1
3	hollow set screw M6x10 DIN 916	96029000	0	1
4	flange	96763000	0	1
5	nut	97209000	0	1
6	O-ring 33x2	98154000	0	1
7	cartridge, assy	92730000	0	1
8	O-ring 29x2	98391000	0	1
9	O-ring 11x2	98127000	0	1
10	O-ring 12x2	98214000	0	1
11	selector assy	96294000	0	1
12	hollow set screw M5x6	98482000	0	1
13	selector	96297000	0	1
14	O-ring 16x2	98133000	0	1
15	O-ring 24x2	98388000	0	1
16	aerator M30x1 (25 l/min)	96296000	0	1
17	special tool set	58085000	0	1
18	O-ring 13x2	98128000	0	1
19	connecting thread	97527000	0	1
20	set of non return valves DW 15	94074000	0	1
21	escutcheon Ø 59 mm	97507000	0	1
22	noise reduction	96429000	0	1
23	set of S-unions with nuts	96742000	0	1
24	O-ring 18x2,5	98139000	0	1