

AXOR Starck Organic
Porter unit 120/120 with baton hand shower 2jet and shower hose
 Surfaces: **Chrome** Article Number: **12232000**



Description

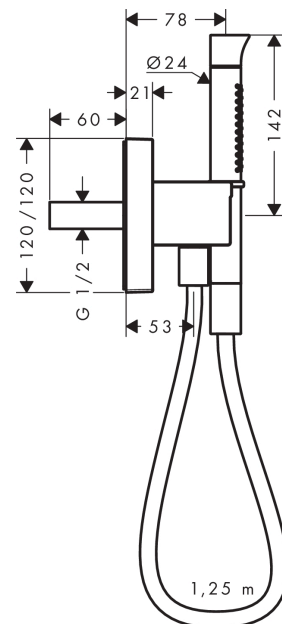
product features

- consists of: baton hand shower, porter unit, shower holder, shower hose
- integrated support function
- non-return valve
- in a joined installation (10 mm distance) we recommend for perfect handling only the horizontal installation
- in a joined installation (10 mm distance), the basic set no.28486180 must be used
- in a freely-arranged installation (distance greater than 10 mm), no basic set is required

Product image



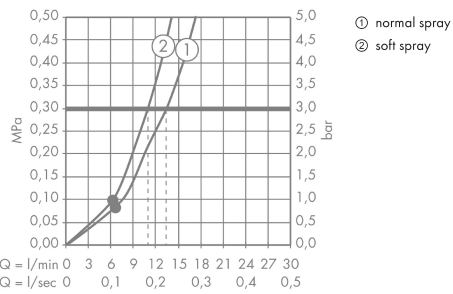
Scale drawing



AXOR Starck Organic
Porter unit 120/120 with baton hand shower 2jet and shower hose
 Surfaces: **Chrome** Article Number: **1232000**



Flowchart



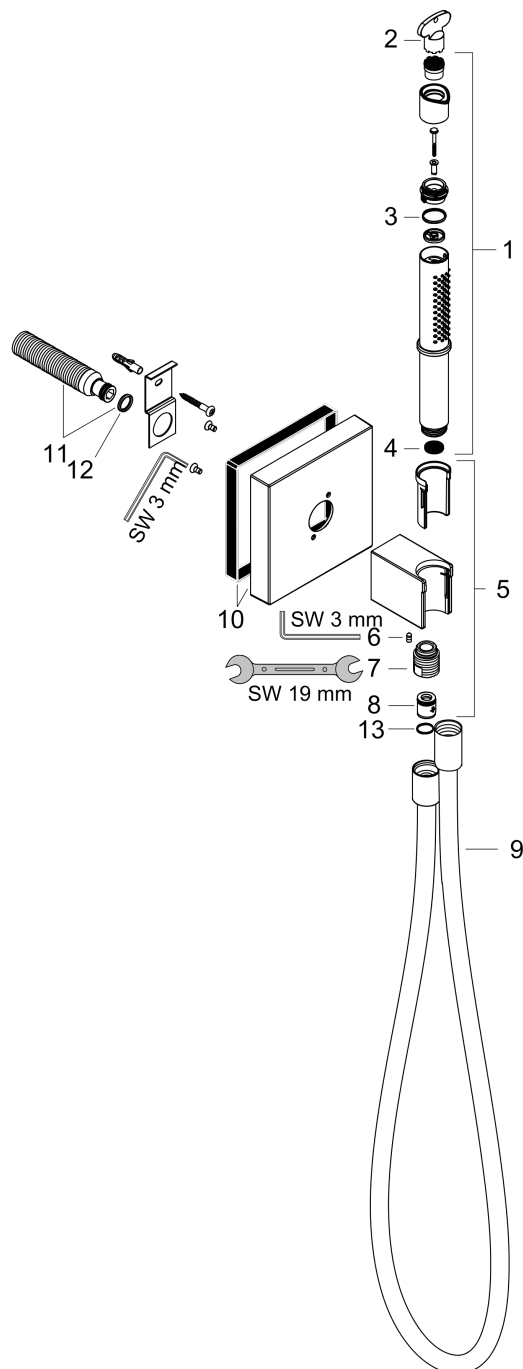
The consumption was measured in combination with the appropriate fittings (thermostat/mixer/in-wall valve) to reflect actual application in practice.

AXOR Starck Organic
Porter unit 120/120 with baton hand shower 2jet and shower hose
Surfaces: **Chrome** Article Number: **12232000**



Exploded Drawing

Year of production: >10/15



AXOR Starck Organic
Porter unit 120/120 with baton hand shower 2jet and shower hose
 Surfaces: **Chrome** Article Number: **12232000**



Spare part list

Year of production: >10/15

Pos.	Description	Article Number	PC	PU
1	handshower	92749000	0	1
2	special tool	98987000	0	1
3	O-ring 17x1,5	98137000	0	1
4	filter packing	94246000	0	1
5	shower holder, assy	98358000	0	1
6	hollow set screw M4x16	97663000	0	1
7	O-ring 14x2	98129000	0	1
8	set of non return valves DW 15	94074000	0	1
9	shower hose 1,25 m	28282000	0	1
10	escutcheon	98359000	0	1
11	connecting thread G½	98933000	0	1
12	O-ring 11x2	98127000	0	1
13	seal	98058000	0	1
a	concealed item	28486180	0	1