

**Toothbrush cup**

- Cup for toothbrushes with aluminium wall support. Also available in brushed gold finish (NOFER 16231.G).
- Durability and resistance.
- Suitable for public environments and high frequency of use.
- Black finish.



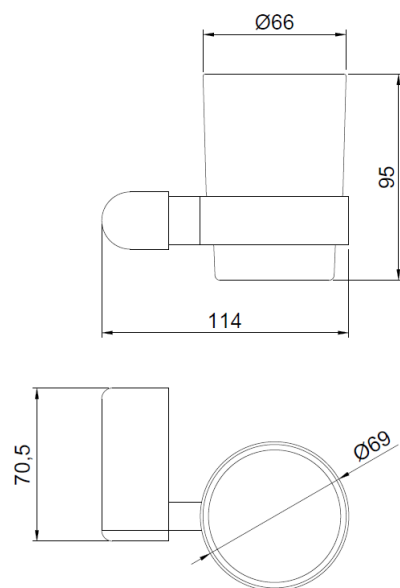
**TECHNICAL DATA**

- Made of aluminium, black finish.
- Cup holder ring support.
- Matte glass cup.
- Dimensions: 95 height x 114 width x 70,5 depth (mm).
- Stainless steel fixing material included. Hidden fixation.
- Threaded fixing system to the wall by means of a plate.

**SUGGESTED TEXT FOR PRESCRIPTION**

NOFER toothbrush cup with wall support, made of aluminium, black finish. Dimensions: 95 height x 114 width x 70,5 depth (mm).

**TECHNICAL DRAWING**



DIMENSIONS IN mm



NOFER S.L.  
 Ctra. Laureà Miró, 385-387  
 08980 · Sant Feliu de Llobregat (Barcelona)  
 Tel +34 934 742 423 · Fax +34 934 743 548  
 nofer@nofer.com · www.nofer.com

Related Products



16225.N



16228.N



16223.N



16221.N