

Pulsify E

Overhead shower 260 2jet EcoSmart with wall connector

Finish: **Matt Black** Article Number: **24351670**

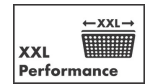


Description

product features

- consists of: overhead shower, wall connector
- shower head size: 260 x 260 mm
- spray type: PowderRain, Intense PowderRain
- Fast Drain empties the overhead shower from an angle of 10°
- ball-joint: overhead shower angle adjustable
- material spray disc: plastic
- spray disc surface: graphite
- maximum flow rate at 3 bar: 8 l/min
- flow rate PowderRain spray (at 3 bar): 8 l/min
- flow rate Intense PowderRain (at 3 bar): 7,8 l/min
- function from: 7,7 l/min
- minimum flow pressure: 1,3 bar
- overhead shower removable for cleaning
- installation: wall-mounted - based on iBox
- connection type: basic set
- suitable for continuous flow water heaters
- EU taxonomy: max. 8 l/min - Do No Significant Harm (DNSH)

Technology



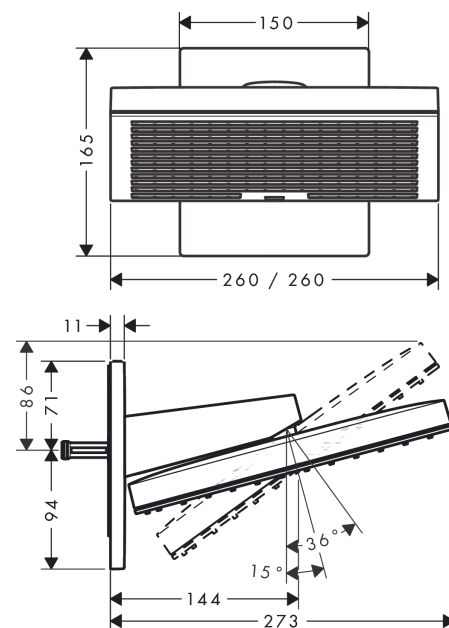
Design awards



Product image



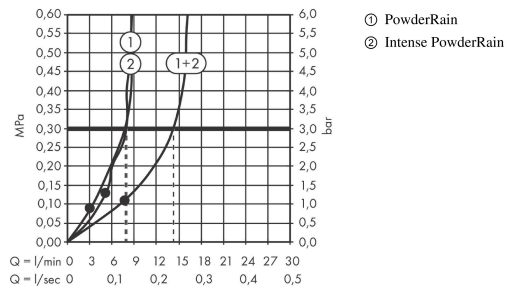
Scale drawing



Pulsify E
Overhead shower 260 2jet EcoSmart with wall connector
 Finish: **Matt Black** Article Number: **24351670**



Flowchart

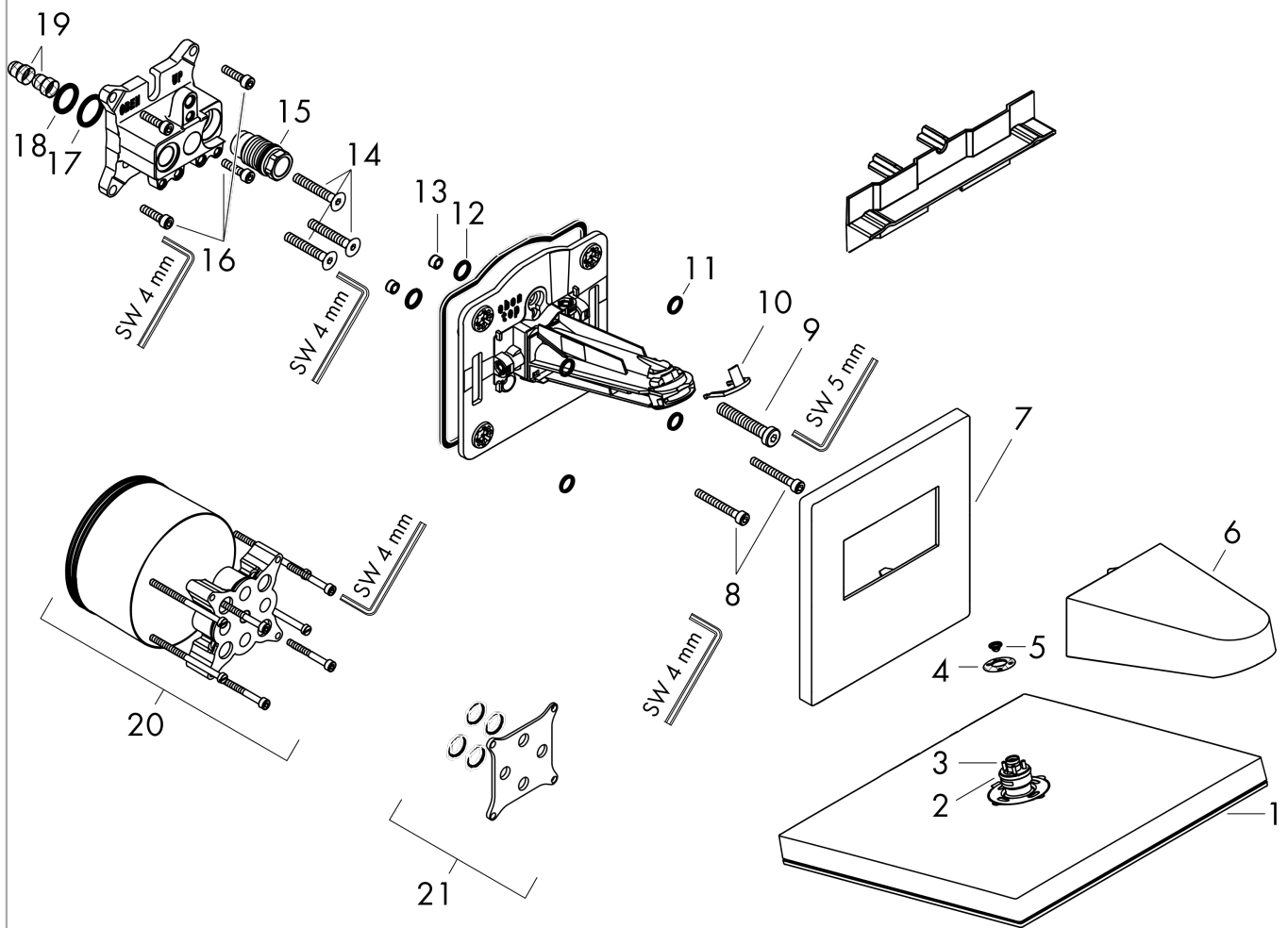


Pulsify E
Overhead shower 260 2jet EcoSmart with wall connector
 Finish: **Matt Black** Article Number: **24351670**



Exploded Drawing

Year of production: >01/23



Pulsify E**Overhead shower 260 2jet EcoSmart with wall connector**Finish: **Matt Black** Article Number: **24351670****Spare part list**

Year of production: >01/23

Pos.	Description	Article Number	PC	PU
1	head shower	94733670	66	1
2	O-ring 18x2,5	98139000	1	1
3	O-ring 27x2,5	98149000	1	1
4	-	94890000	2	1
5	filter	94467000	0	1
6	cover	94464670	0	1
7	escutcheon	94465670	0	1
8	hexagon socket screw M5x40	97673000	2	1
9	countersunk screw M8x45	94892000	3	1
10	cramp	94521000	1	1
11	O-ring 9x2	98119000	1	1
12	O-ring 10x2	98170000	1	1
13	flow limiter (9 l/min)	94811000	3	1
14	countersunk screw M6x40	94891000	1	1
15	O-ring 17x2	98199000	1	1
16	set of screws	96525000	3	1
17	O-ring 18x2	98181000	2	1
18	O-ring 16x2	98133000	1	1
19	filter	98513000	1	1
20	extension 25 mm	13595000	98	1
21	compensation set 1°	95521000	16	1
a	concealed item	01800180	98	1
b	-	01500180	98	1
c	set of adapters	13588000	98	1