

28 504 670



Fits: IMO, MEM, CL.1, CYO

- 180-210 mm projection
- ball-joint pivotable through 30°
- normal flow
- with anti-scale system
- spray head Ø 100mm
- rosette 60 x 60 mm
- 1/2" connection
- max. flow 7 l/min
- This product can help a building to meet requirements of Green Building Rating Systems, e.g. LEED®, BREEAM®, DGNB, WELL

	Chrome	28 504 670-00
	Brushed Platinum	28 504 670-06
	Platinum	28 504 670-08
	Dark Chrome	28 504 670-19
	Brushed Durabronze (23kt Gold)	28 504 670-28
	Brushed Champagne (22kt Gold)	28 504 670-46
	Champagne (22kt Gold)	28 504 670-47
	Brushed Chrome	28 504 670-93
	Brushed Dark Platinum	28 504 670-99

Recommended miscellaneous



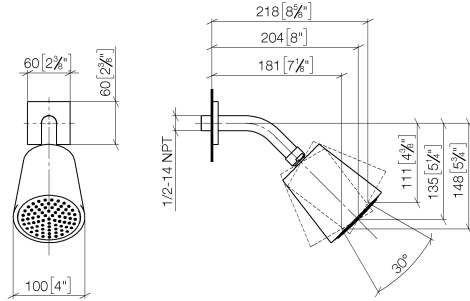
Concealed wall elbow

35 085 970 90

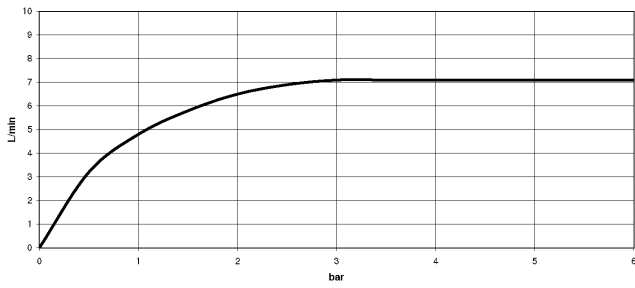
- min. recess depth 90 mm
- max. recess depth 163 mm

28 504 670

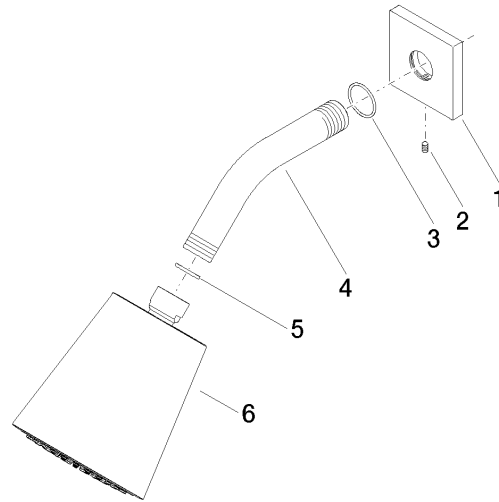
mm [inches]



Flow rate chart



28 504 670



Spare parts list

No.	Item Number	Name	Quantity used	Delivery time
1	09 27 98 003-00	rosette	1	10
2	09 31 11 048 90	pin	1	2
3	09 14 10 026 90	seal	1	10
4	09 11 03 011-00	connection	1	10
5	09 14 20 002 90	seal	1	60
6	90 12 05 054 00-00	shower	1	10