

Focus

Single lever basin mixer for exposed installation wall-mounted

Finish: **Chrome** Article Number: **31923000**



Description

product features

- projection: 180 mm
- handle variant: lever handle
- centre distance: 150 ± 12 mm
- spray type: normal spray
- maximum flow rate at 3 bar: 5 l/min
- ceramic cartridge
- temperature limitation adjustable
- with noise reduction
- suitable for continuous flow water heaters
- connection type: s-shaped connections
- connection dimension: DN15
- EU taxonomy: max. 6 l/min - Substantial Contribution (SC) possible
- EPD_20220300_Basin_faucets

Technology



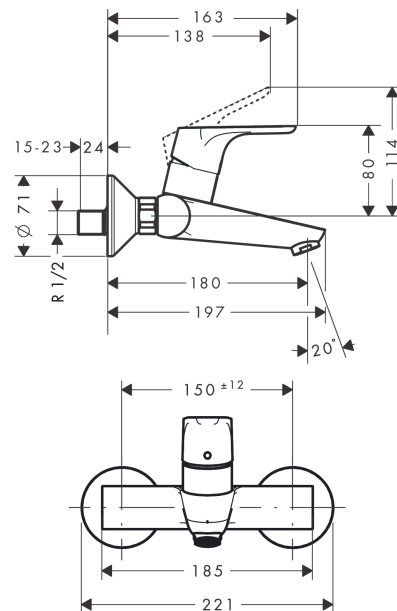
Certificates / Sustainability



Product image



Scale drawing



Focus

Single lever basin mixer for exposed installation wall-mounted

Finish: **Chrome** Article Number: **31923000**



Flowchart

