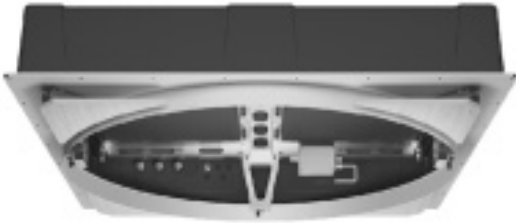


Shower - Concealed products
AQUAMOON^{ATT} Experience Shower -
Article number: 35 265 970 90



- concealed rough parts

1x rain panel ceiling installation enclosure

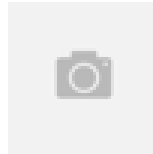
- 2x male thread 1/2" connection, (cold / warm), DN 20
- connection materials (fragrance hoses, connecting leads, voltage supply cables)

1x concealed rough parts for eVALVE

- 1/2" female connector (hot/cold), DN 15

1x concealed rough parts for electronic control elements (SMART TOOLS)

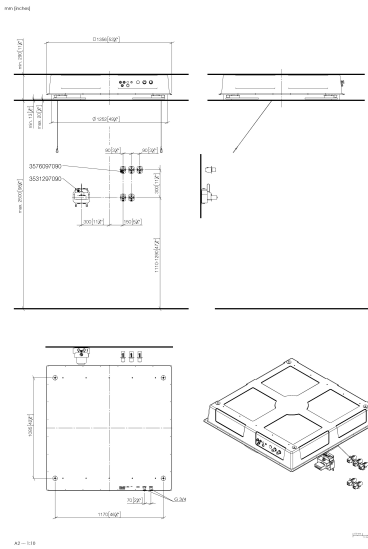
- 5x concealed box for pre-wall installation mounting
- min. recess depth for SMART TOOLS, 139 - 164 mm, hole diameter 56 mm
- Fittings group as per DIN 4109: 1
- NOTE:
- It is obligatory for technical planning, installation and initial commissioning to be accompanied by a certified system partner or by booking a Dornbracht service package





Shower - Concealed products
AQUAMOON^{ATT} Experience Shower -
Article number: 35 265 970 90

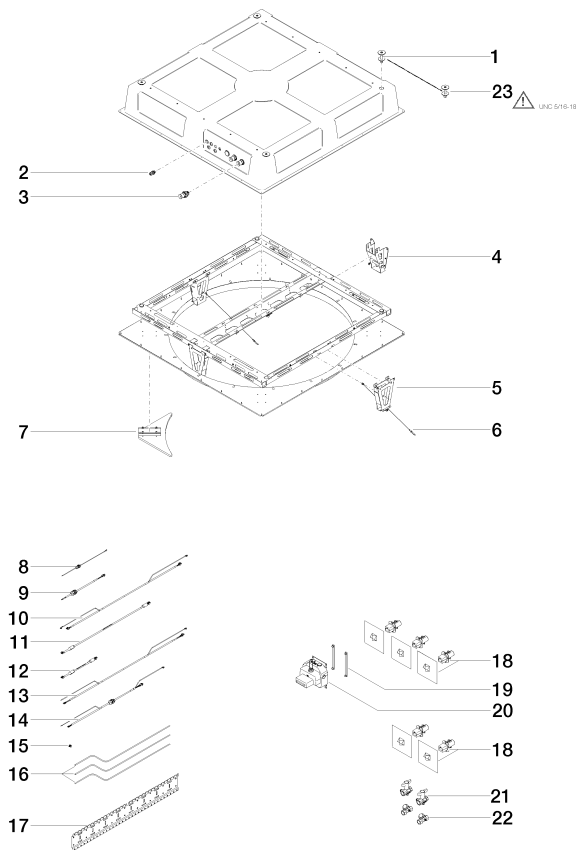
Dimensional drawing



All details in mm / inch = mm x 0.0394

Shower - Concealed products
AQUAMOON^{ATT} Experience Shower -
 Article number: 35 265 970 90

Spare parts list



No.	Item Number	Name	Quantity used
1	04 24 03 239 02 90	fixing set	4
2	90 10 01 123 00 90	plug	1
3	90 24 03 285 00 90	connection	1
4	90 17 20 205 00 90	holder	1
5	90 17 20 209 00 90	holder	3
6	90 21 50 007 00 90	accessories	2
7	90 17 20 215 00 90	end stop	4
8	04 10 01 070 00 90	electronic accessories	2
9	09 10 01 087 90	electronic accessories	1
10	04 10 01 124 00 90	electronic accessories	1
11	04 10 01 074 00 90	electronic accessories	1
12	04 10 01 052 00 90	electronic accessories	3
13	90 10 01 210 00 90	electronic accessories	1
14	90 10 01 202 00 90	electronic accessories	1
15	09 10 01 051 90	electronic accessories	1
16	90 30 03 065 00 90	hose	1
17	12 320 970 90	xGRID Installation track 990 mm -	1
18	04 11 11 065 00 90	pre-installation	5
19	04 17 20 101 00 90	fixing set	1
20	35 212 970 90	pre-installation	1
21	04 17 03 034 00 90	valve	2
22	04 23 01 073 01 90	valve	2
23	04 24 03 287 02 90	fixing set	4