



BLOW®

POLISHED STAINLESS STEEL

design **Jean-Marie Massaud**

**EUROPEAN
WARRANTY**

MATERIAL:

Polished stainless steel.

FIXING KIT:

Brackets, hexagonal tool, plugs and screws for mounting suitable for use on compact or hollow brick, user notice.

The kit is certified from TÜV in compliance with VDI 6036-class 4.

VALVE KIT INCLUDES:

Valves with thermostatic head

Fittings for copper pipe (Ø 12/14/15)

Fittings for multilayer pipe (Ø 16)

PACKAGING:

The radiator is protected by a wooden crate and carton.

User notice included.

FEATURES:

It is totally made in stainless steel with an unalterable finishing guaranteed during the years.

Thermal outputs certified in accredited laboratories in compliance with European norm EN442.

PRODUCT CERTIFICATES



Pression maximale de service: 5 bar

Température maximale de service: 110° C

Available for central heating systems

AWARD

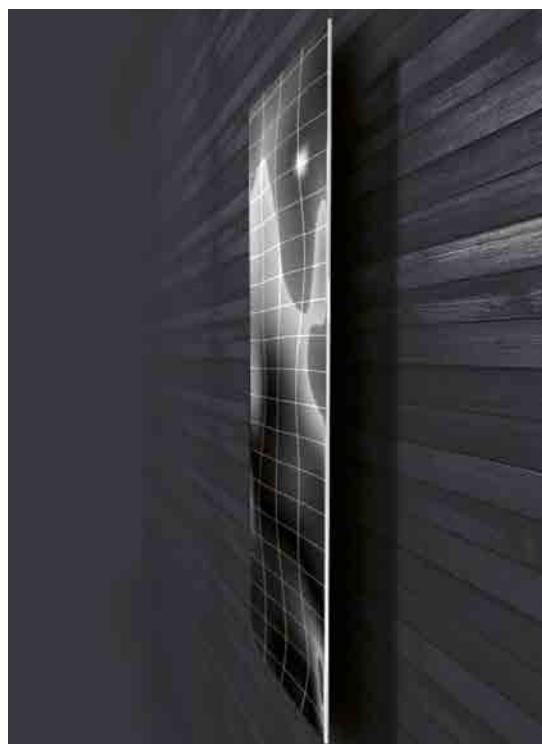


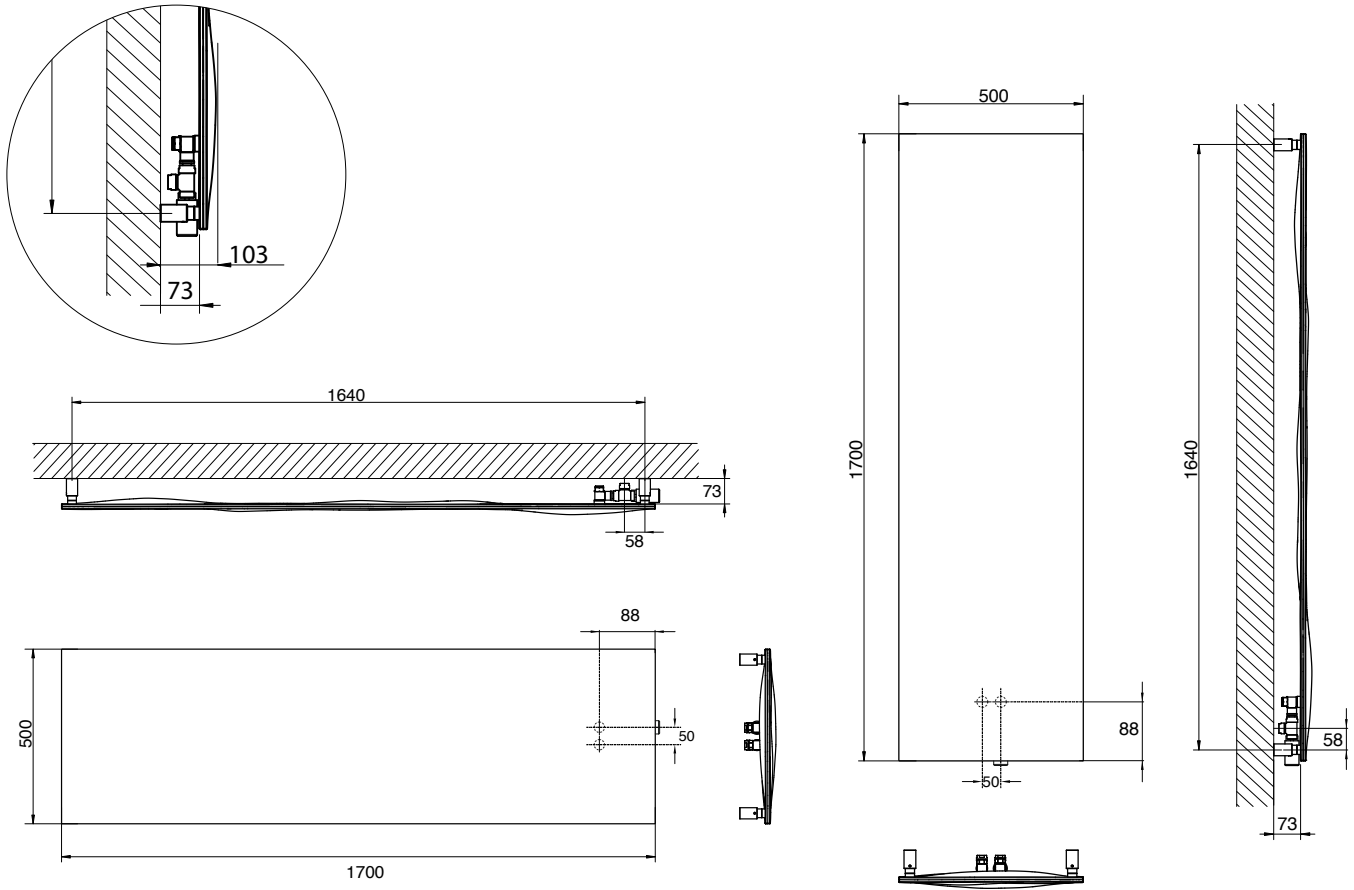
reddot design award
best of the best 2012



German
Design Award

NOMINEE 2014





BLOW® POLISHED STAINLESS STEEL

Art. Nr.	Height	Width	Pipe Centres	Dry Weight	Surface	Water Content	Thermal output Watt		Exponent n
	H [mm]	L [mm]	I [mm]	[Kg]	[m ²]	[lt]	Δt = 50°C	Δt = 30°C	
3540640130001	1700	500	50	18,7	1,7	1,3	700	374	1,2247
3540640130001	500	1700	50						

Include valve and thermostatic head, in accordance with EN215:2007

For output at different Δt than 50°C, please refer to the following formula: desired output = output at Δt 50°C x (desired Δt/50)ⁿ