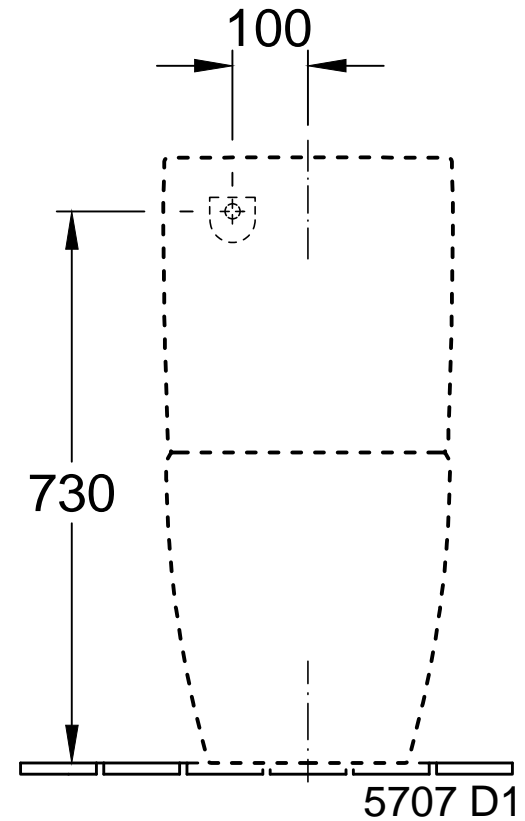
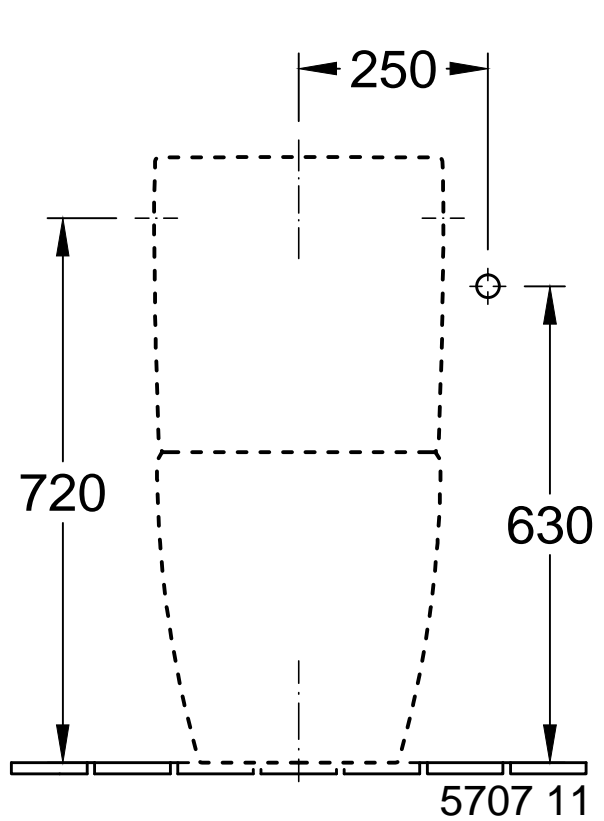
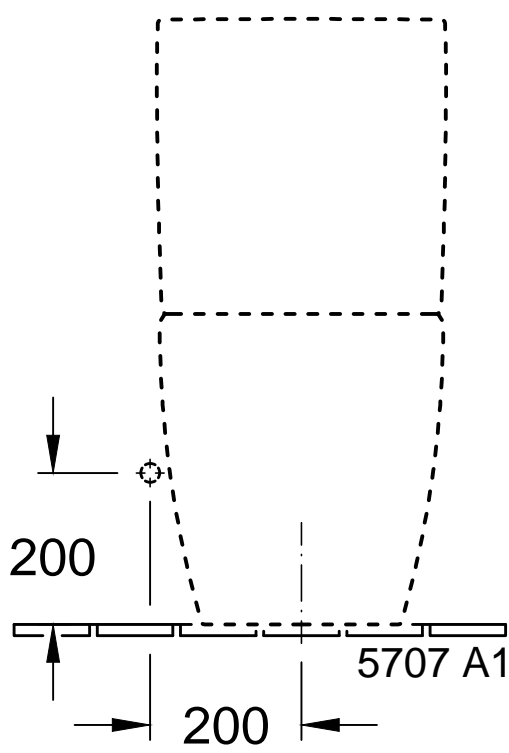


* 8701 00 = 225 - 310 → 235
 * 8711 00 = 135 - 225 → *

8701 40

305



Designation
VENTICELLO DirectFlush
 4612 R0 - Washdown, back-to-wall
 WC
 5707 - Cistern

Villeroy & Boch

| | | | |
|----------|------------|--------------|------------|
| Altered: | 23.05.2016 | Approved by: | PK |
| | | Date: | 24.09.2014 |
| | | Signed: | MHK |
| | | Date: | 09.2014 |

This drawing may not be copied or passed on to third parties or competitive companies without our permission. Villeroy & Boch accepts no liability whatsoever for these data and technical drawings. Other parties use them at their own risk. The dimensions indicated are not binding. Villeroy & Boch reserves the right to make product changes.