

**AXOR One**  
**Hand shower 75 1jet EcoSmart**  
Surfaces: **Matt Black** Article Number: **48651670**



## product features

- shower head size: 73 mm
- material: metal
- spray type: PowderRain
- maximum flow rate at 3 bar: 9,1 l/min
- with internal water conduction
- rinseable screen seal
- connection thread G ½
- connection dimension: DN15

## Technology



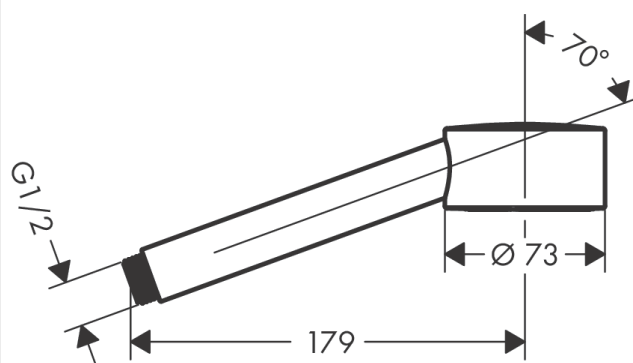
## Design awards



## Product image



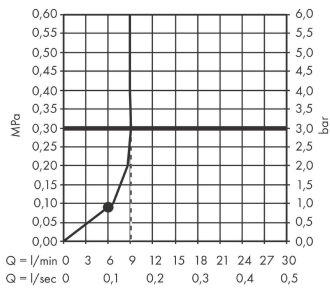
## Scale drawing



**AXOR One**  
**Hand shower 75 1jet EcoSmart**  
 Surfaces: **Matt Black**    Article Number: **48651670**



## Flowchart



The consumption was measured in combination with the appropriate fittings (thermostat/mixer/in-wall valve) to reflect actual application in practice.