

**RainDrain Match**  
**Finish set shower drain 700 with height adjustable frame**  
 Finish: **Matt Black** Article Number: **56037670**



### Description

#### product features

- consists of: Dryphon, height adjustable frame, design grate, wall installation flange
- mounting type: wall-mounted, free in the floor
- tileable on the back side
- easy to clean surface
- easy adjustment to tile thickness with height adjustable frame (7 – 18 mm)
- tile thickness: up to 18 mm
- suitable for any type of tile
- up to 60 l/min drainage capacity
- where to use: new construction, renovation
- grate removal tool allows easy removal of the finish set
- type of odour seal: mechanical
- Dryphon enables waterless siphon system
- wall mounting possible
- tile inlay depth: 12 mm
- grate material: Stainless Steel 304 (1.4301)
- suitable for primary and secondary drainage
- frame width: 62 mm

### Technology



### Design awards



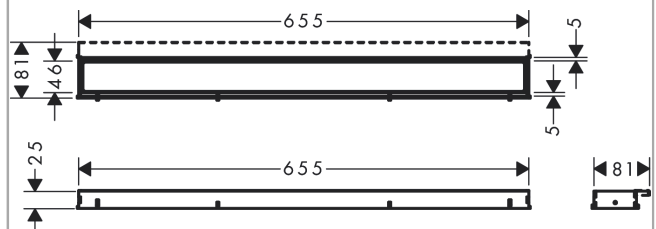
reddot winner 2022



### Product image



### Scale drawing

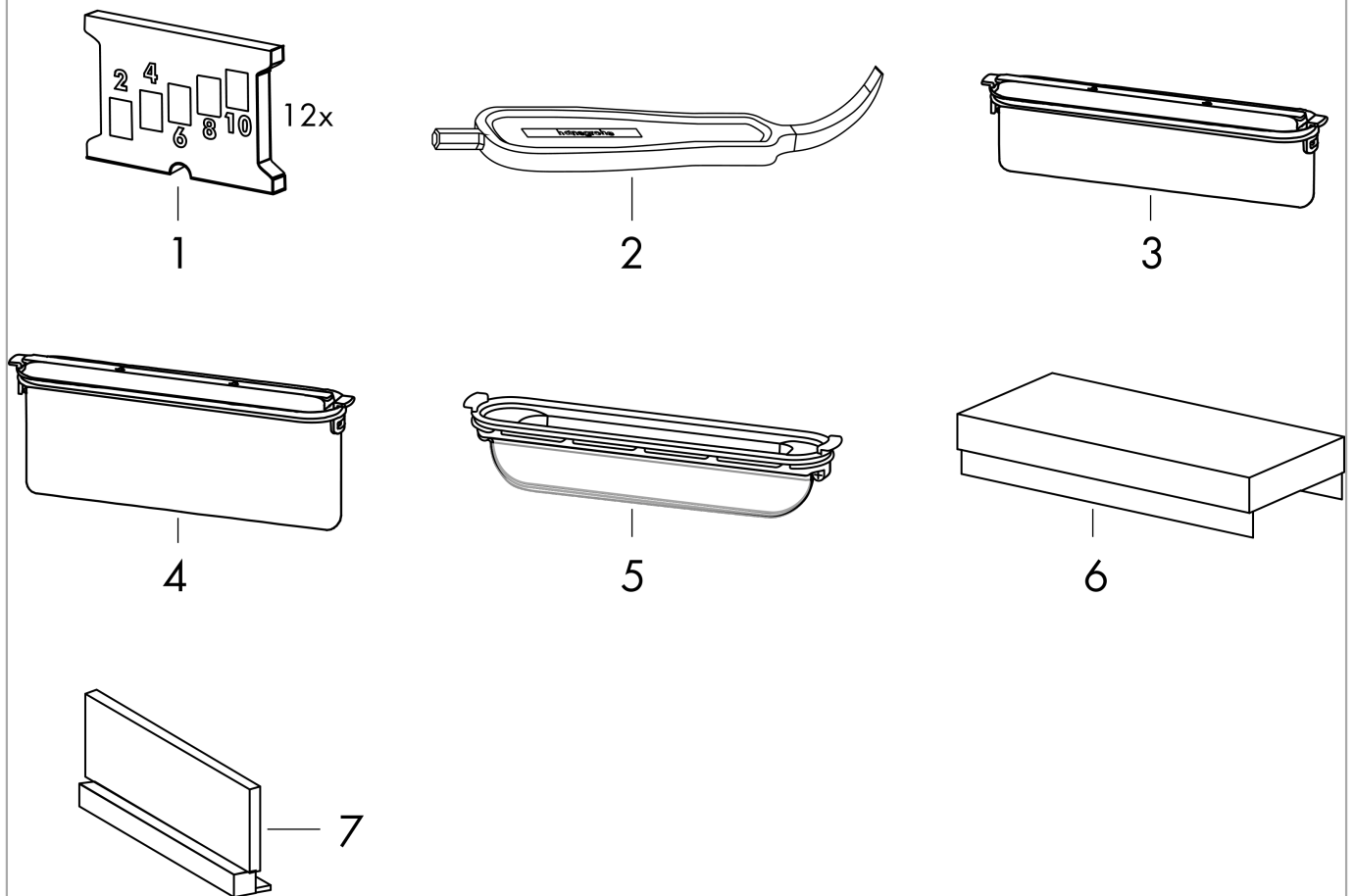


**RainDrain Match**  
**Finish set shower drain 700 with height adjustable frame**  
 Finish: **Matt Black** Article Number: **56037670**



**Exploded Drawing**

Year of production: >05/22



**RainDrain Match**  
**Finish set shower drain 700 with height adjustable frame**  
 Finish: **Matt Black** Article Number: **56037670**



**Spare part list**

Year of production: >05/22

<b>Pos.</b>	<b>Description</b>	<b>Article Number</b>	<b>PC</b>	<b>PU</b>
1	mounting-set	94329000	9	1
2	service tool	94327000	7	1
3	trap cpl.	94322000	13	1
4	trap cpl.	94323000	13	1
5	Dryphon	94326000	14	1
6	fit-up aid	94328000	7	1
7	spacer	94330000	8	1