

RainDrain Flex
Finish set shower drain 900 cuttable for wall mounting
 Finish: **Brushed Bronze** Article Number: **56052140**



Description

product features

- consists of: Dryphon, design grate with removable cover, sealing membrane
- mounting type: wall-mounted
- can be shortened on site
- easy to clean surface
- height adjustable by 10 mm
- up to 60 l/min drainage capacity
- where to use: new construction, renovation
- grate removal tool allows easy removal of the finish set
- with integrated slope
- type of odour seal: mechanical
- Dryphon enables waterless siphon system
- grate material: Stainless Steel 304 (1.4301)
- suitable for primary drainage

Technology



Design awards



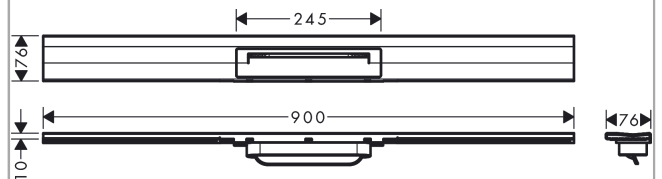
reddot winner 2022



Product image



Scale drawing

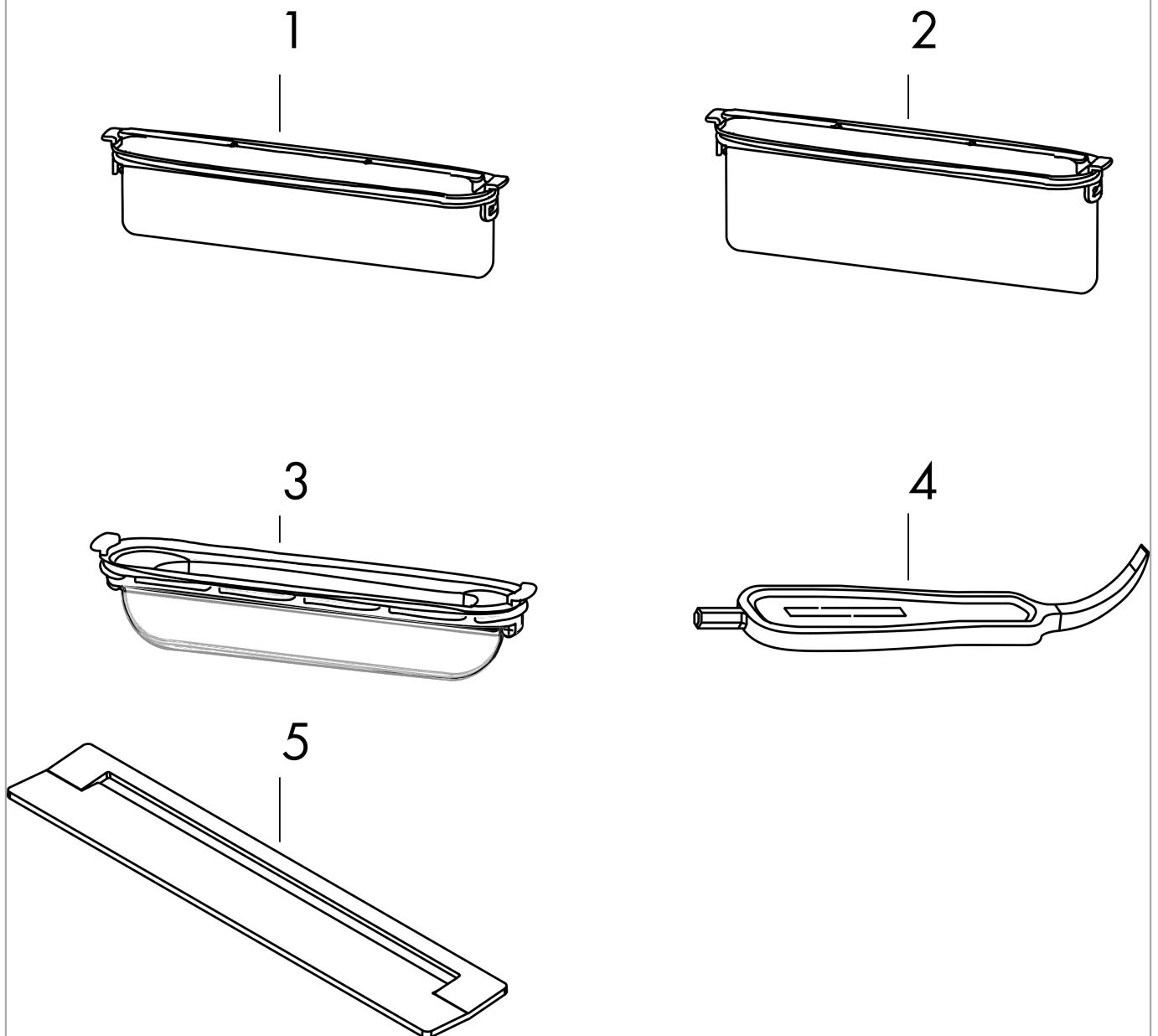


RainDrain Flex
Finish set shower drain 900 cuttable for wall mounting
 Finish: **Brushed Bronze** Article Number: **56052140**



Exploded Drawing

Year of production: >04/22



RainDrain Flex
Finish set shower drain 900 cuttable for wall mounting
 Finish: **Brushed Bronze** Article Number: **56052140**



Spare part list

Year of production: >04/22

Pos.	Description	Article Number	PC	PU
1	trap cpl.	94322000	13	1
2	trap cpl.	94323000	13	1
3	Dryphon	94326000	14	1
4	service tool	94327000	7	1
5	-	94551140	0	1
a	concealed item	01000180	99	1
b	concealed item	01001180	99	1