

RainDrain Flex
Finish set shower drain 1000 cuttable for wall mounting
 Surfaces: **Brushed Bronze** Article Number: **56053140**



Description

product features

- consists of: design grate with removable cover, Dryphon, sealing membrane
- can be shortened on site
- easy to clean surface
- height adjustable by 10 mm
- up to 60 l/min drainage capacity
- where to use: new construction, renovation
- grate removal tool allows easy removal of the finish set
- with integrated slope
- type of odour seal: mechanical
- Dryphon enables waterless siphon system
- mounting type: wall-mounted
- grate material: Stainless Steel 304 (1.4301)
- suitable for primary drainage

Technology



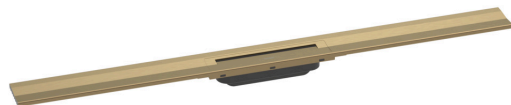
Design awards



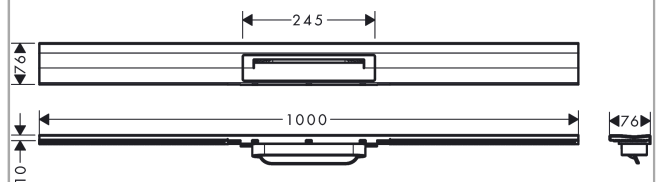
reddot winner 2022



Product image



Scale drawing

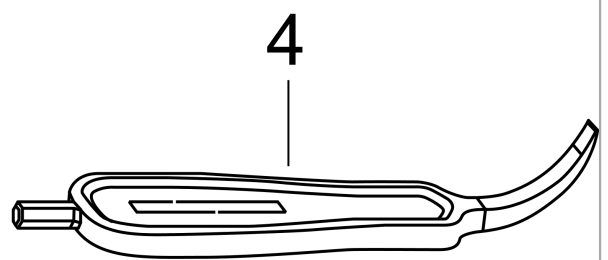
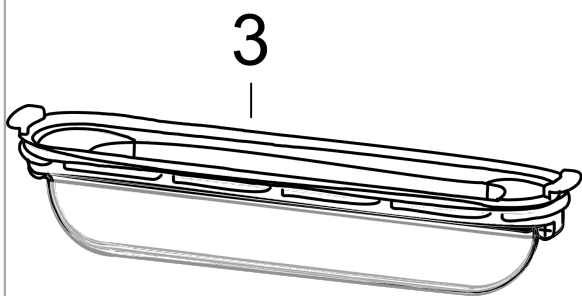
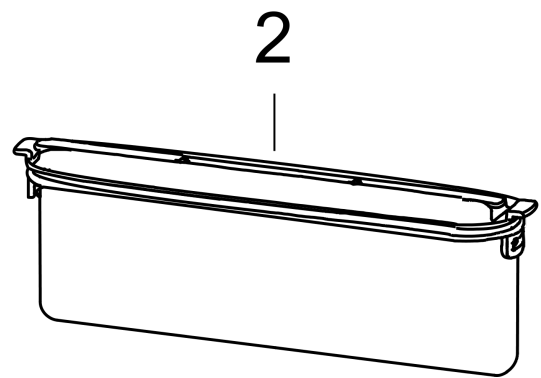
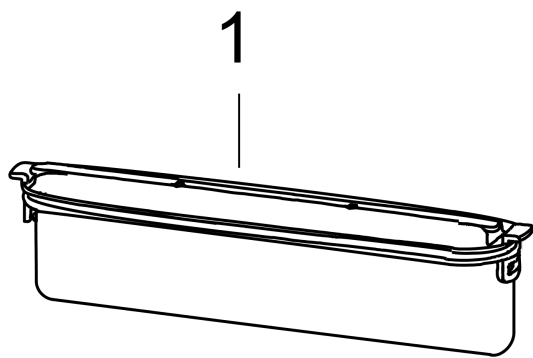


RainDrain Flex
Finish set shower drain 1000 cuttable for wall mounting
 Surfaces: **Brushed Bronze** Article Number: **56053140**



Exploded Drawing

Year of production: >04/22



RainDrain Flex
Finish set shower drain 1000 cuttable for wall mounting
 Surfaces: **Brushed Bronze** Article Number: **56053140**



Spare part list

Year of production: >04/22

Pos.	Description	Article Number	Price	PU
1	trap cpl.	94322000	€ 86,16	1
2	trap cpl.	94323000	€ 86,16	1
3	Dryphon	94326000	€ 100,44	1
4	service tool	94327000	€ 22,37	1
a	concealed item	01000180	-	1
b	concealed item	01001180	-	1