

**RainDrain Compact**  
**Complete set shower drain 800 for flat installation**  
 Finish: **Brushed Stainless Steel** Article Number: **56166800**



## Description

### product features

- consists of: finish set shower drain, installation set, siphon, grate removal tool, pre-assembled sealing membrane
- pre-assembled sealing membrane
- water seal: 30 mm
- connection diameter: DN40
- direction of outlet: horizontal
- easy to clean surface
- height adjustable installation set
- up to 27 l/min drainage capacity
- where to use: renovation, new construction
- tile thickness: up to 18 mm
- suitable for every type of tile and tile thickness
- removable water lock
- easy to clean siphon
- grate removal tool allows easy removal of the finish set
- type of odour seal: fluid
- minimal installation height 43 mm
- Basic set height: 30 mm
- material siphon: ABS
- mounting type: free in the floor
- grate material: Stainless Steel 304 (1.4301)
- suitable for primary drainage

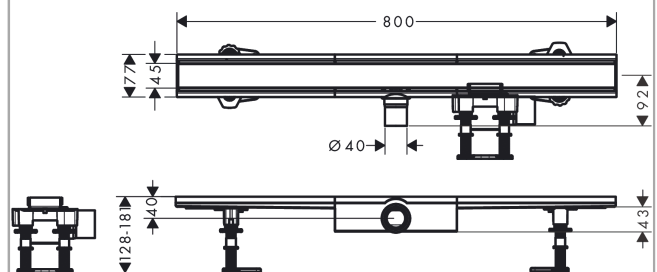
## Technology



## Product image



## Scale drawing

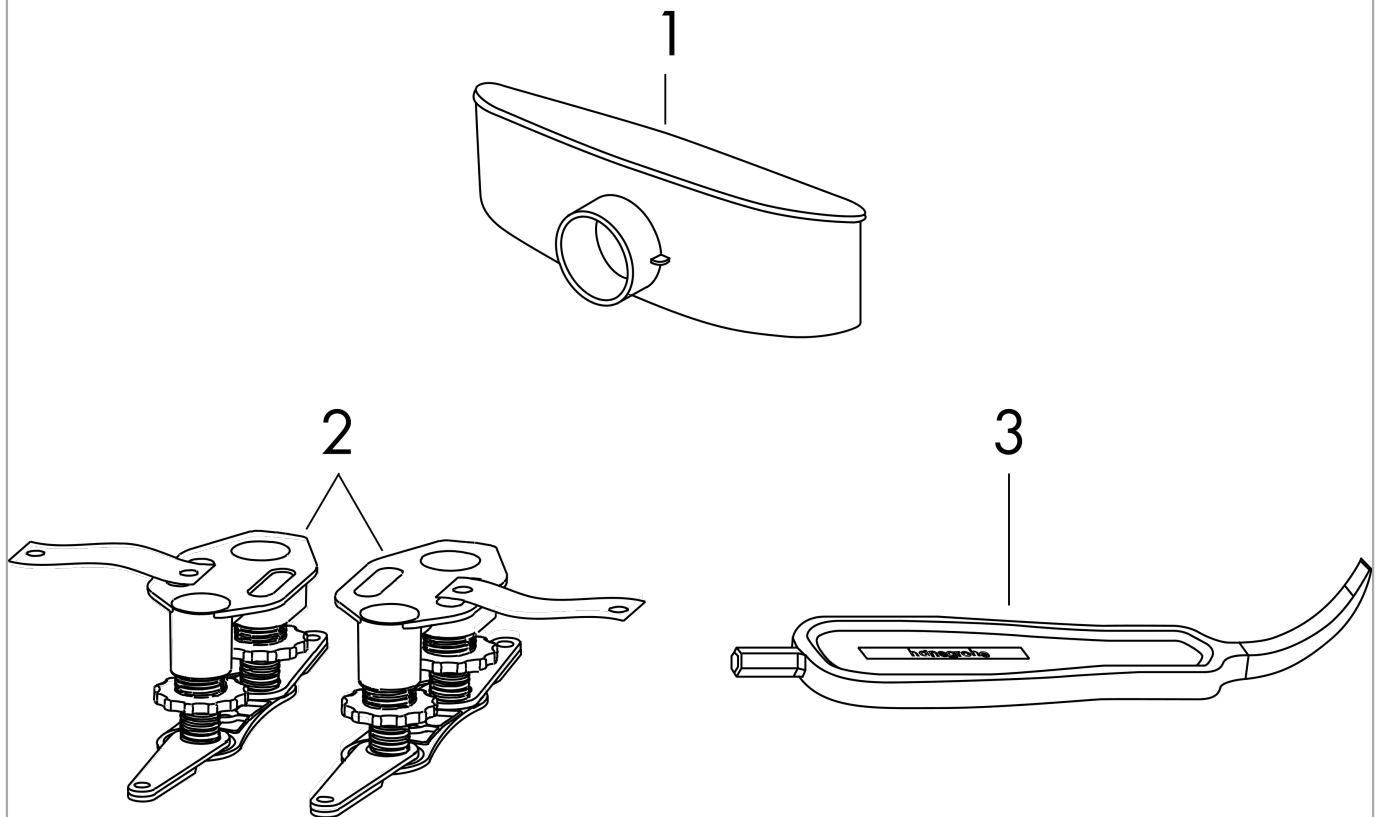


**RainDrain Compact**  
**Complete set shower drain 800 for flat installation**  
 Finish: **Brushed Stainless Steel** Article Number: **56166800**



**Exploded Drawing**

Year of production: >01/23



**RainDrain Compact**  
**Complete set shower drain 800 for flat installation**  
 Finish: **Brushed Stainless Steel** Article Number: **56166800**



**Spare part list**

Year of production: >01/23

<b>Pos.</b>	<b>Description</b>	<b>Article Number</b>	<b>PC</b>	<b>PU</b>
1	trap cpl.	94755000	0	1
2	mounting-set	94331000	10	1
3	service tool	94327000	7	1