

design **FLAMINIA DESIGN TEAM**

1990

# 6006

Wall hung basin 70 cm

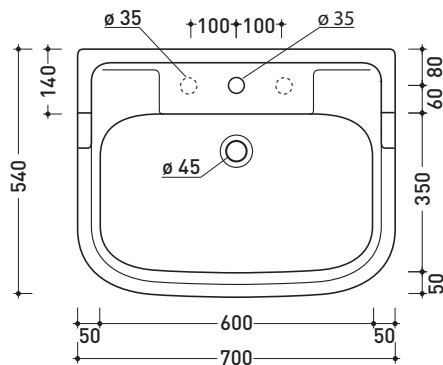
Complements: **Line taps basin:** EVERGREEN  
**Line accessories:** EVERGREEN

Technical accessories: **Chrome siphon (SIFL/CR) - Telescopic chrome siphon (SIFL066)**  
**Stop & Go drain (PLSG)**  
**CERAMIC Stop & Go drain (PLCE)**  
**Two piece set chrome tap filters (RF026)**  
**Wall fixing kit (9002)**

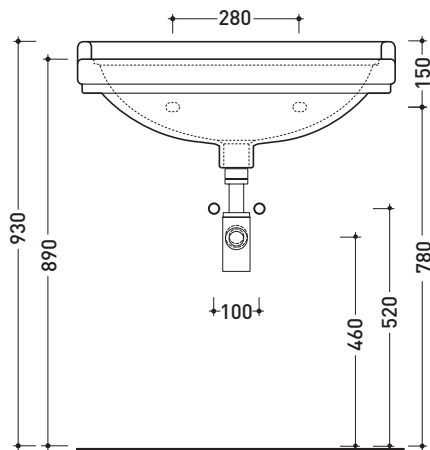
Package dim. | Weight **23 kg** | Pz. Pallet n° **20**



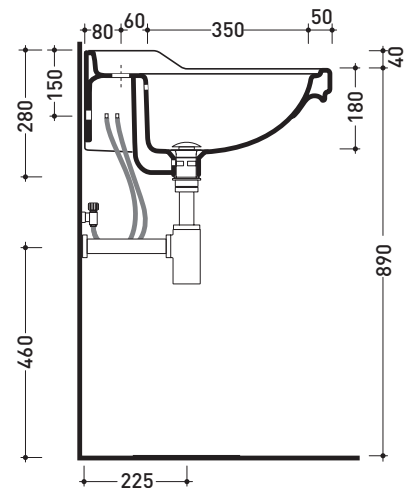
CE UNI EN 14688 - CL20 Dop-No14688



vista zenitale / zenital view



vista frontale / frontal view



sezione longitudinale / section

sizes in mm

Please consider a 2% tolerance on indicated measurements

**CERAMIC:** glossy finish

matt finish



white



black



milky white