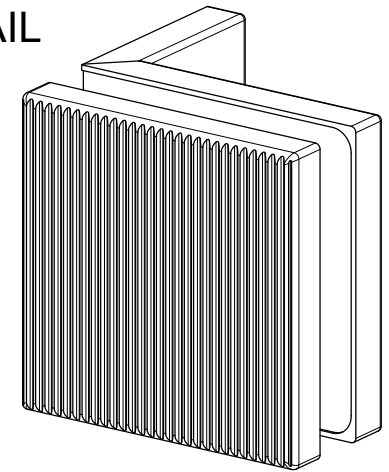


TEXTURE DETAIL



	SHOWER G 67506	Formato A4	
	MORSETTO MURO VETRO L = 60 RIGATO	Dis.: GPF675060000G000	
Gessi S.p.A. Parco Gessi, 13037 Serravalle Sesia (Vercelli) Italy Tel. 0039 0163 454111 Fax. 0039 0163 453150 www.gessi.com e-mail: gessi@gessi.it			
<i>This drawing by its legislation cannot be disclosed or reproduced without a written authorization released by GESSI S.p.A. - 2022 Copyright® GESSI S.p.A.</i>			