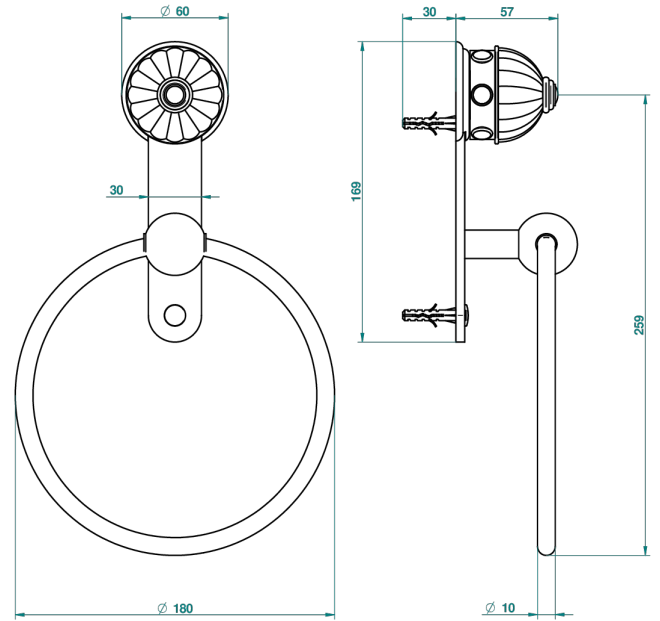


# AMBOISE MALACHITE

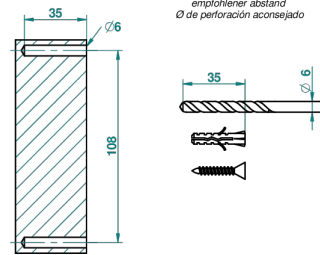
A1J-504N

Single towel ring

THG<sup>®</sup>  
PARIS



Ø de perçage conseillé  
recommended drilling ø  
empfohlener abstand ø  
Ø de perforación aconsejado



39733

30/05/2011

## CHARACTERISTIC

- Amboise Malachite
- Single towel ring

## AVAILABLE FINITIONS

Antique nickel - H28  
Blush PVD - H62  
Brass color PVD - H49  
Brown bronze color PVD - F33  
Gold color PVD - H52  
Graphite PVD - H64

Matt Umber PVD - H67  
Matt blush PVD - H60  
Matt brass color PVD - H50  
Matt brown bronze color PVD - F34  
Matt chrome - C02  
Matt gold - F07

Matt gold color PVD - H53  
Matt graphite PVD - H65  
Matt nickel (color finish) - C01  
Matt nickel color PVD - H56  
Nickel color PVD - H55  
Polished chrome (color finish) - A02

Polished chrome / Polished gold (color finish) - G02  
Polished gold (color finish) - F01  
Polished nickel - B01  
Soft gold - F30  
Soft matt gold - F31  
Umber PVD - H66