

MA95L Madre 95

Basin 95 cm wall hung - countertop - on pedestal installation

• WITH OVERFLOW • ARRANGED FOR 3 TAP HOLES

Complements: MADRE mirror (MASPE75)
MADRE ceramic pedestal (MACOL)
Line taps basin EVERGREEN - X1
Line accessories EVERGREEN

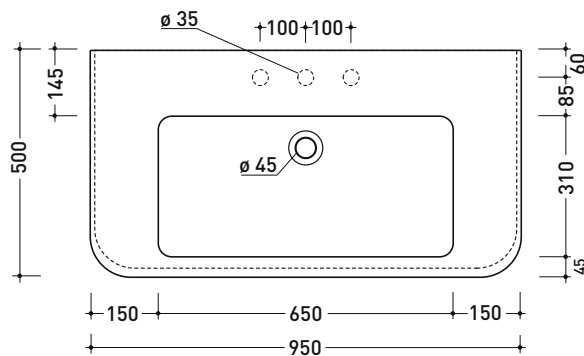
Technical accessories: Chrome siphon (SIFL/CR) - Gold siphon (SIFDR)
Stop & Go drain (PLSG)
CERAMIC Stop & Go drain (PLCE)
Two piece set chrome tap filters (RF026)
Wall fixing kit (9002)

Package dim.

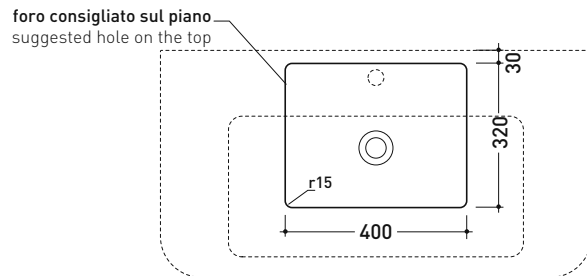
Weight 29,5 kg

Pz. Pallet n°

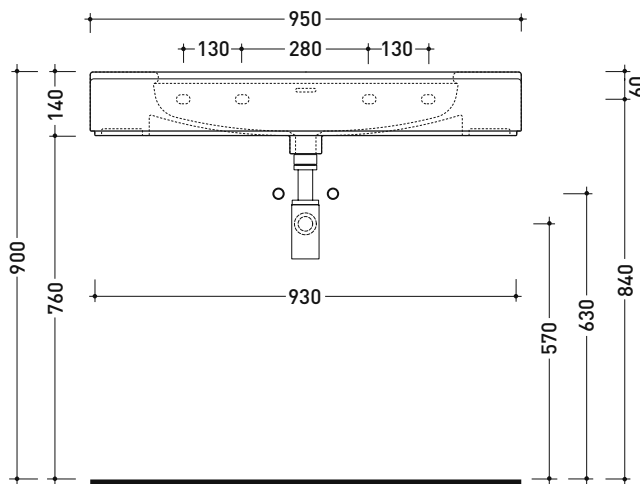
CE UNI EN 14688 - CL20 Dop-No14688



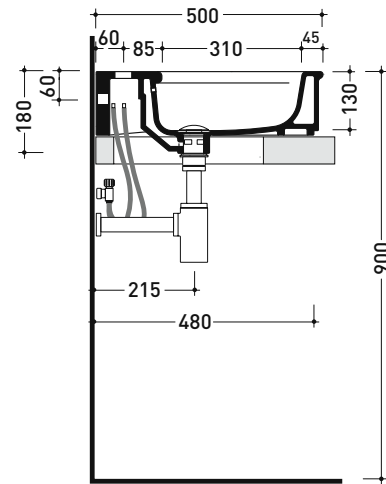
vista zenitale / zenital view



vista zenitale / zenital view



vista frontale / frontal view



sezione longitudinale / section

sizes in mm

Please consider a 2% tolerance on indicated measurements

CERAMIC: glossy finish



white black

matt finish



milky white carbone