

## MN100L Monò 100

### Countertop - wall hung basin 100 cm

• WITHOUT OVERFLOW • ARRANGED FOR SEVEN TAP HOLES

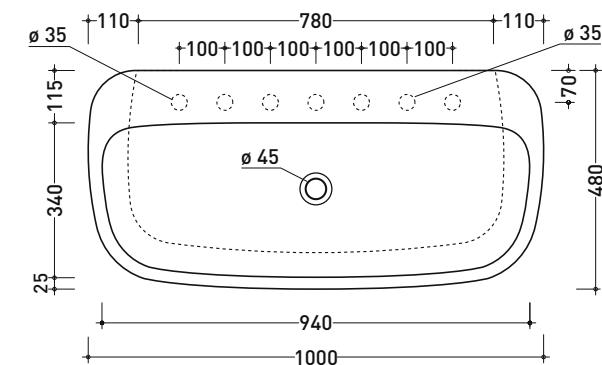
Complements: FORTY6 shelf (F6MN100)  
 BOX wall hung vanity units depth 50 cm  
 CUBIKA wall hung vanity units depth 50 cm  
 DENVER furniture (DV103M)  
 Line taps basin: ONE - NOKÉ - FOLD - SI - X1  
 Line accessories: TWO - HOOP - NOKÉ - FOLD

Technical accessories: Chrome siphon (SIFL/CR) - Telescopic chrome siphon (SIFL066)  
 Stop & Go drain (PLSG)  
 CERAMIC Stop & Go drain (PLCE)  
 Chrome waste with automatic integrated overflow (PLTPCR)  
 Waste with automatic integrated overflow and ceramic cover (PLTPCE)  
 Two piece set chrome tap filters (RF026)  
 Fixing kit for wall (9002)

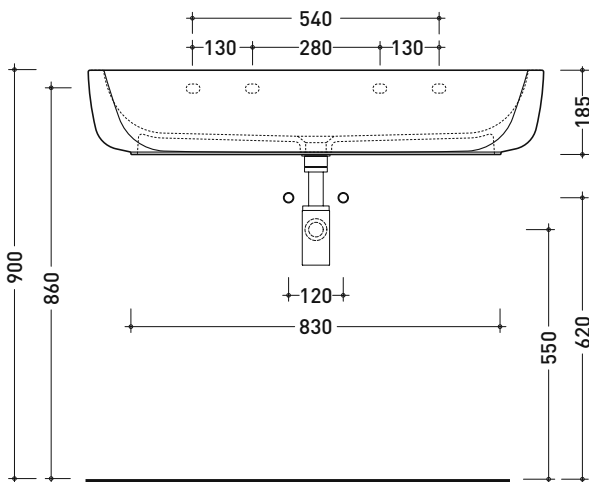
Package dim. 101 x 19 x 50,5 cm | Weight 35,5 kg | Pz. Pallet n° 10



CE UNI EN 14688 - CL00 Dop-No14688

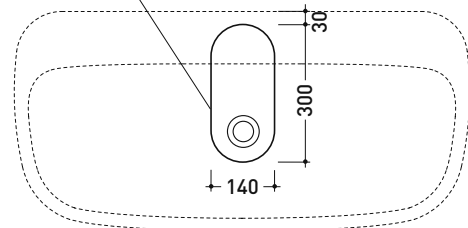


vista zenitale / zenital view

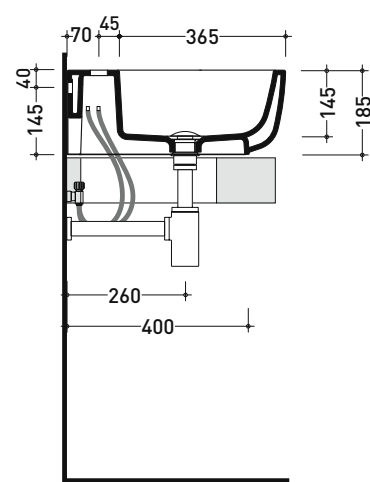


vista frontale / frontal view

foro consigliato sul piano  
suggested hole on the top



vista zenitale / zenital view



sezione longitudinale / section

sizes in mm

CERAMIC: glossy finish



matt finish



Please consider a 2% tolerance on indicated measurements