

design **PATRICK NORGUET**

2007

MN117

Back to wall wc with S/P trap (drainage connector for floor trap art. TR/CON and floor fixing kit art. 9003 included)

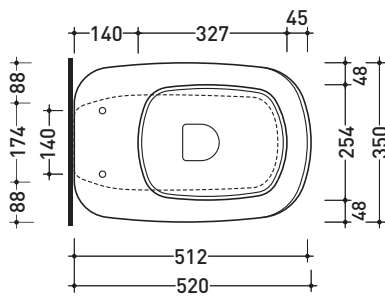
Complements: **Soft-closing thermosetting wrapping seat&cover (MNCW03)**
Line accessories: TWO - HOOP - NOKÉ - FOLD

Package dim. **53 x 35,5 x 43 cm** | Weight **31,5 kg** | Pz. Pallet n° **15**

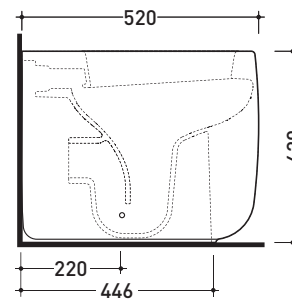


CE UNI EN 997

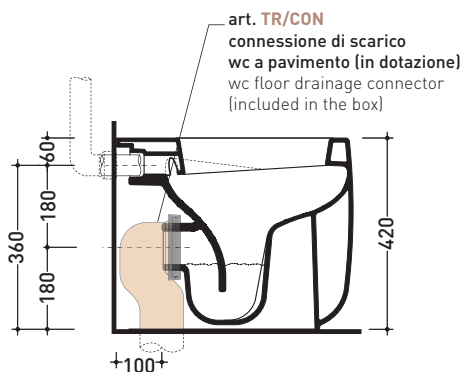
Dop-No997



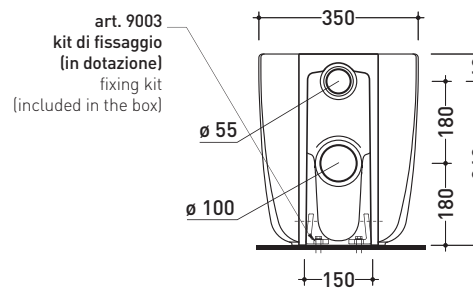
vista zenitale / zenital view



vista laterale / lateral view



sezione longitudinale / section



vista retro / back view

sizes in mm

Please consider a 2% tolerance on indicated measurements

CERAMIC: glossy finish



matt finish



FLAMINIA does not recommend combining this toilet model with rapid-flow/flushometer systems or traditional high tanks