

MN64L Monò 64

Countertop - wall hung basin 64 cm

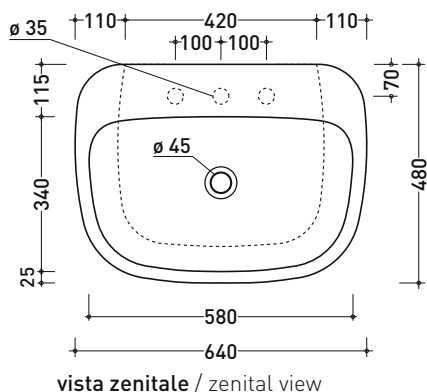
• WITHOUT OVERFLOW • ARRANGED FOR THREE TAP HOLES

Complements: FORTY6 shelf (F6MN64)
 BOX wall hung vanity units depth 50 cm
 CUBIKA wall hung vanity units depth 50 cm
 DENVER furniture (DV103M)
 Line taps basin: ONE - NOKÉ - FOLD - SI - X1
 Line accessories: TWO - HOOP - NOKÉ - FOLD

Technical accessories: Chrome siphon (SIFL/CR) - Telescopic chrome siphon (SIFL066)
 Stop & Go drain (PLSG)
 CERAMIC Stop & Go drain (PLCE)
 Chrome waste with automatic integrated overflow (PLTPCR)
 Waste with automatic integrated overflow and ceramic cover (PLTPCE)
 Two piece set chrome tap filters (RF026)
 Fixing kit for wall (9002)

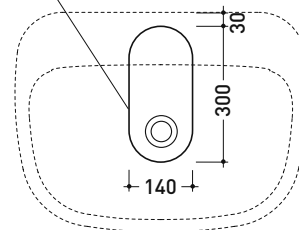
Package dim. 66,5 x 2 0 x 51,5 cm | Weight 21,5 kg | Pz. Pallet n° 15

CE UNI EN 14688 - CL00 Dop-No14688

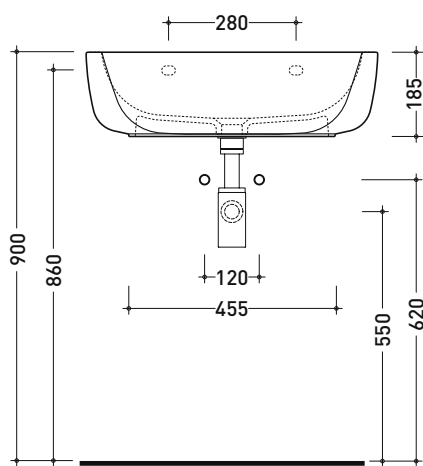


vista zenitale / zenital view

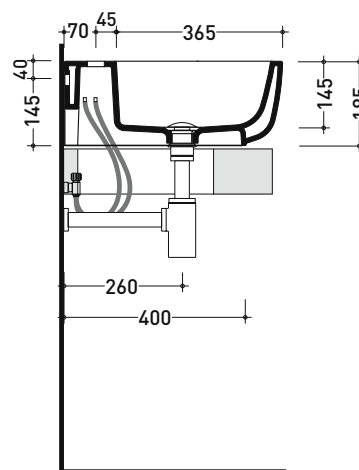
foro consigliato sul piano
suggested hole on the top



vista zenitale / zenital view



vista frontale / frontal view



sezione longitudinale / section

sizes in mm

CERAMIC: glossy finish



matt finish



Please consider a 2% tolerance on indicated measurements