

design **NENDO**

2016

PH118G

Wall hung wc with **goclean®** system (fixing kit included art. 9008)

Complements: **Soft-closing thermostetting wrapping seat&cover (PHCW03)**
 Line accessories: **TWO - HOOP - NOKÉ - FOLD**

Technical accessories: **Universal fixing bracket for wall hung wc/bidet (41/P)**

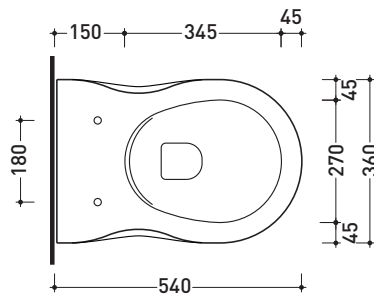
Package dim. **57 x 39 x 35 cm** | Weight **21 kg** | Pz. Pallet n° **15**



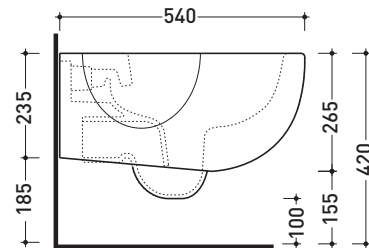
WHILE STOCKS LAST

CE UNI EN 997

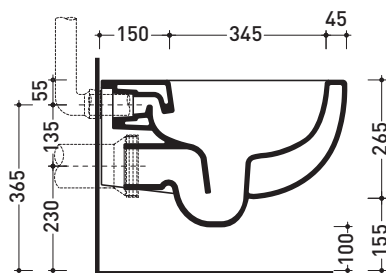
Dop-No997



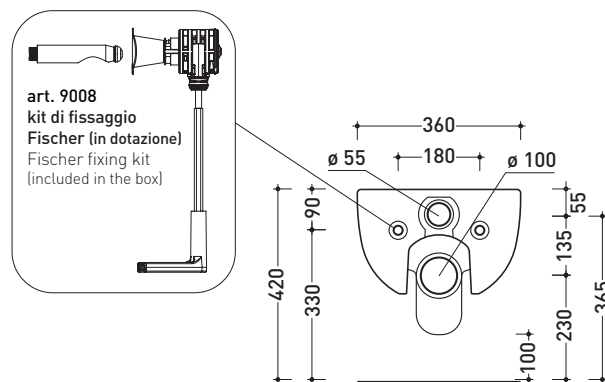
vista zenitale / zenital view



vista laterale / lateral view



sezione longitudinale / section



vista retro / back view

sizes in mm

Please consider a 2% tolerance on indicated measurements

CERAMIC: glossy finish



white

FLAMINIA does not recommend combining this toilet model with rapid-flow/flushometer systems or traditional high tanks