

	SCHEDA TECNICA TECHNICAL SHEET	Date: 27/03/2018	Rev 0

Codice / Code: Z00007 + Z00008	Parti incasso miscelatore monocomando 1 Via da 1/2" Concealed parts single lever mixer 1 Way 1/2"
---	--

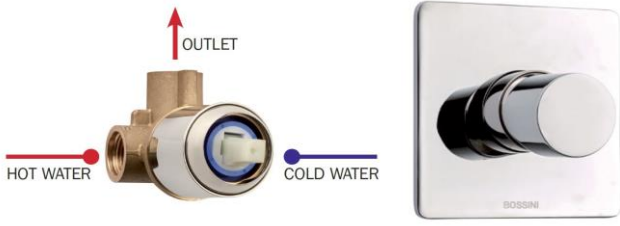
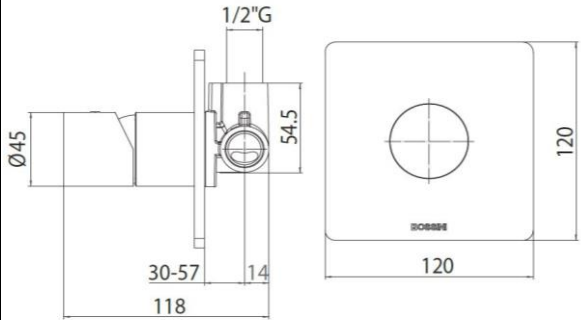
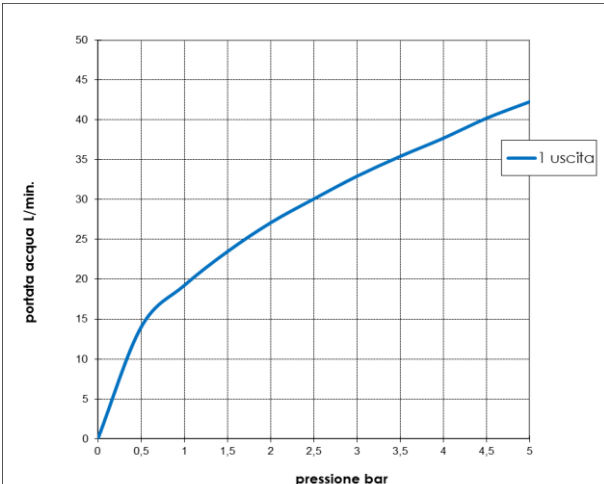
Foto / image  <p style="text-align: center;">Z00007 Z00008</p>	Disegni / drawings 
---	--

Grafico di portata / Flow rate diagram																									
<table border="1"> <thead> <tr> <th></th> <th>1 uscita</th> </tr> </thead> <tbody> <tr><td>0</td><td>0</td></tr> <tr><td>0,5</td><td>14,0</td></tr> <tr><td>1</td><td>19,2</td></tr> <tr><td>1,5</td><td>23,5</td></tr> <tr><td>2</td><td>27,1</td></tr> <tr><td>2,5</td><td>30,1</td></tr> <tr><td>3</td><td>32,9</td></tr> <tr><td>3,5</td><td>35,4</td></tr> <tr><td>4</td><td>37,7</td></tr> <tr><td>4,5</td><td>40,2</td></tr> <tr><td>5</td><td>42,3</td></tr> </tbody> </table>			1 uscita	0	0	0,5	14,0	1	19,2	1,5	23,5	2	27,1	2,5	30,1	3	32,9	3,5	35,4	4	37,7	4,5	40,2	5	42,3
	1 uscita																								
0	0																								
0,5	14,0																								
1	19,2																								
1,5	23,5																								
2	27,1																								
2,5	30,1																								
3	32,9																								
3,5	35,4																								
4	37,7																								
4,5	40,2																								
5	42,3																								

MATERIALI / materials OTTONE/ZAMA - BRASS/ZAMA
--

CARATTERISTICHE IDRAULICHE / hydraulic features				
	pressione pressure	portata flow rate	temperatura temperature	<i>solo per miscelatori termostatici</i> <i>only for thermostatic mixers</i>
min	0,5bar	--	--	Blocco di sicurezza safety lock
max	5bar	--	--	Temperatura acqua fredda cold water temperature
consigliata recommended	2-3 bar	--	--	Temperatura acqua calda hot water temperature

CERTIFICAZIONI / CERTIFICATIONS CONFORMITA' / CONFORMITY UNI EN 817
