

## MEDAMEDA

ZAD913

Porta bicchiere a muro. / Wall tumbler holder.



Porta bicchiere a muro, con bicchiere in ceramica bianca opaca.

Matt white ceramic wall tumbler holder.

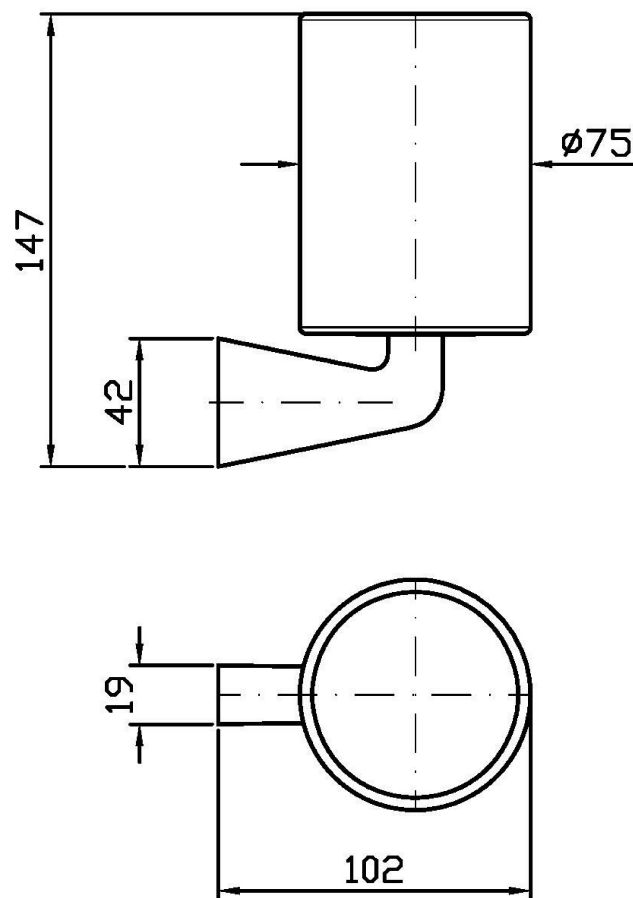
### Finiture / Finishes

							
Cromo / Chrome	C3 Nickel Spazzolato / Brushed Nickel	C8 Nickel Lucido / Polished Nickel	C40 Oro / Gold	C41 Oro spazzolato / Brushed Gold	C50 Metal Black / Metal Black	C51 Metal Black spazzolato / Brushed Metal Black	N1 Nero Opaco Goffrato / Embossed Matt Black

## MEDAMEDA

ZAD913

Disegno Complessivo / Overall Drawing



## MEDAMEDA

### ZAD913 Pesì e Misure / Weights and Sizes

Peso ( Kg ) Weight ( lb )	0,78 ( Kg )	1,72 ( lb )
Volume test ( dc3 ) - ( in3 )	3,32 ( dc3 )	202,60 ( in3 )
h ( mm ) - ( in )	93,00 ( mm )	3,66 ( in )
L1 ( mm ) - ( in )	162,00 ( mm )	6,38 ( in )
L2 ( mm ) - ( in )	220,00 ( mm )	8,66 ( in )

