

## MEDAMEDA

ZAD915

Dispenser a muro. / Wall mounted soap dispenser.



Dispenser a muro con contenitore in ceramica bianca opaca.

Matt white ceramic wall mounted soap dispenser.

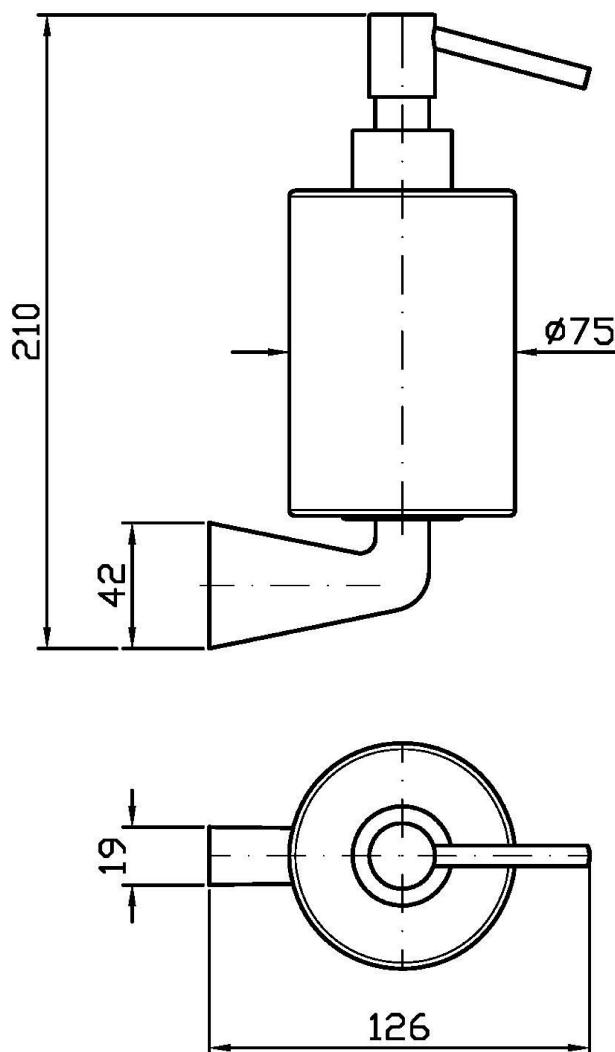
### Finiture / Finishes

|  |   |   |   |   |  |   |   |
|--|---|---|---|---|--|---|---|
|  |  |  |  |  |  |  |  |
| Cromo / Chrome   | C3<br>Nickel Spazzolato / Brushed<br>Nickel   | C8<br>Nickel Lucido / Polished Nickel   | C40<br>Oro / Gold   | C41<br>Oro spazzolato / Brushed Gold  | C50<br>Metal Black / Metal Black   | C51<br>Metal Black spazzolato /<br>Brushed Metal Black                                | N1<br>Nero Opaco Goffrato / Embossed<br>Matt Black                                    |

## MEDAMEDA

ZAD915

Disegno Complessivo / Overall Drawing



## MEDAMEDA

### ZAD915 Pesì e Misure / Weights and Sizes

|                               |               |                |
|-------------------------------|---------------|----------------|
| Peso ( Kg ) Weight ( lb )     | 1,51 ( Kg )   | 3,33 ( lb )    |
| Volume test ( dc3 ) - ( in3 ) | 3,32 ( dc3 )  | 202,60 ( in3 ) |
| h ( mm ) - ( in )             | 93,00 ( mm )  | 3,66 ( in )    |
| L1 ( mm ) - ( in )            | 162,00 ( mm ) | 6,38 ( in )    |
| L2 ( mm ) - ( in )            | 220,00 ( mm ) | 8,66 ( in )    |

