

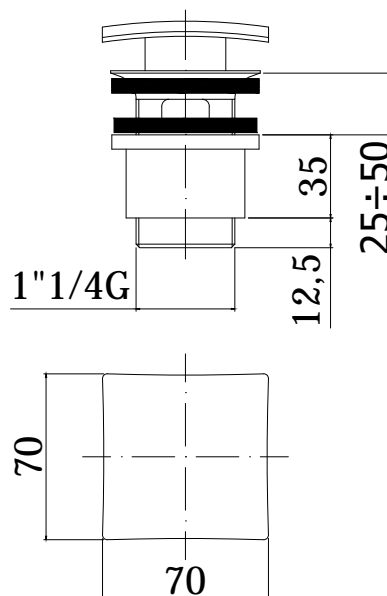
COLLECTION

accessori - fittings

PRODUCT IMAGE



TECHNICAL DRAWING



DESCRIPTION

1"1/4G Clic-Clac press top waste complete with:

- waste h60mm
- overflow

ART.

ZSCA 030

adjustable from 25 to 50mm

FINISHES

ZSCA

CR - cromo



PRODUCT PAGE

www.paffoni.it

